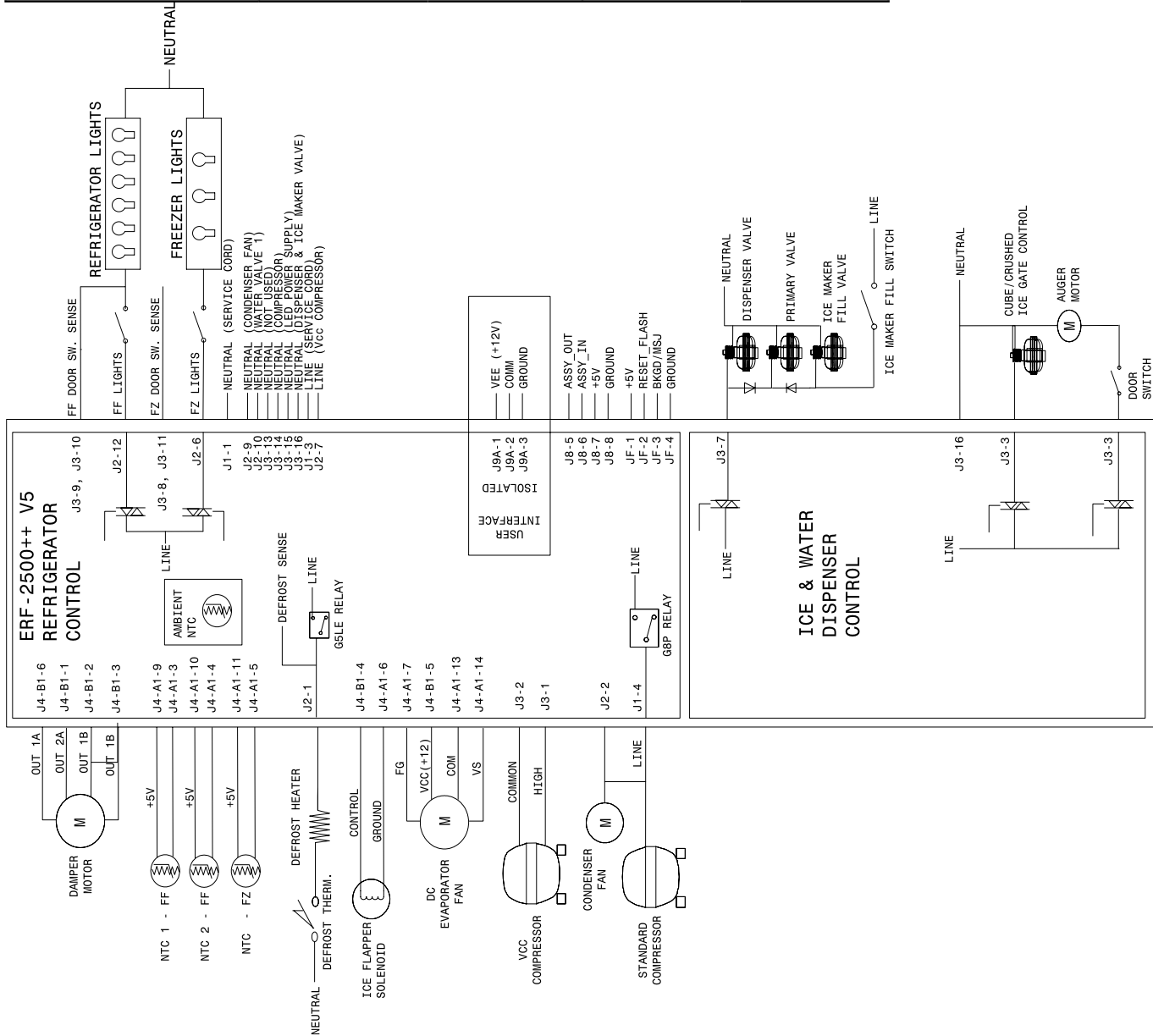


PERFORMANCE DATA NO LOAD & NO DOOR OPENINGS AT 0° F FREEZER & 37° F FRESH FOOD (2500 ++ V5)				
Type A with Run/Start Capacitor	65°F (18°C) Ambient		90°F (32°C) Ambient	
	Variable Speed	Standard	Variable Speed	Standard
Operating Time	74 to 84%	32 to 40%	100%	55 to 65%
Freezer Temperature	-2° to 2° F -19° to -17° C	0° to 4° F -18° to -16° C	-1° to 3° F -18° to -16° C	-1° to 3° F -18° to -16° C
Refrigerator Temperature	34° to 39° F 1° to 4° C	34° to 39° F 1° to 4° C	34° to 39° F 1° to 4° C	34° to 39° F 1° to 4° C
Low Side Pressure (cut-in)	5 to 12 psig 43 to 83 kPa	5 to 12 psig 43 to 83 kPa	N/A	5 to 12 psig 43 to 83 kPa
Low Side Pressure (cut-out)	-2 to 2 psig -14 to 14 kPa	-2 to 2 psig -14 to 14 kPa	-2 to 2 psig -14 to 14 kPa	-2 to 2 psig -14 to 14 kPa
High Side Pressure (last 1/3 cycle)	90 to 105 psig 621 to 724 kPa	90 to 115 psig 621 to 793 kPa	120 to 135 psig 827 to 931 kPa	130 to 155 psig 896 to 1069 kPa
Wattage (last 1/3 cycle)	50 to 60	90 to 130	60 to 70	100 to 140
Amps (running)	0.5 to 0.9	0.7 to 1.1	0.6 to 1.0	0.8 to 1.2
Base Voltage	115 vac (127 vac max)			
DEFROST SPECIFICATIONS				
Cabinet Size	Thermostat		Heater	
	Cut-in	Cut-out	Watts	Ohms
23" CD, 26'	25° F (-4° C)	47° F (8° C)	450	30
Electronic Timer - (ADC) Defrost 24 minutes every 6-96 hours of compressor run time.				
CONDENSER FAN MOTOR				
Watts	RPM	Amps		
3.1	1100 CW Opposite Shaft	0.03 Running		



Variable Capacity Compressor (VCC) Diagnostics (select models)
If test 38 fails, diagnose as follows:

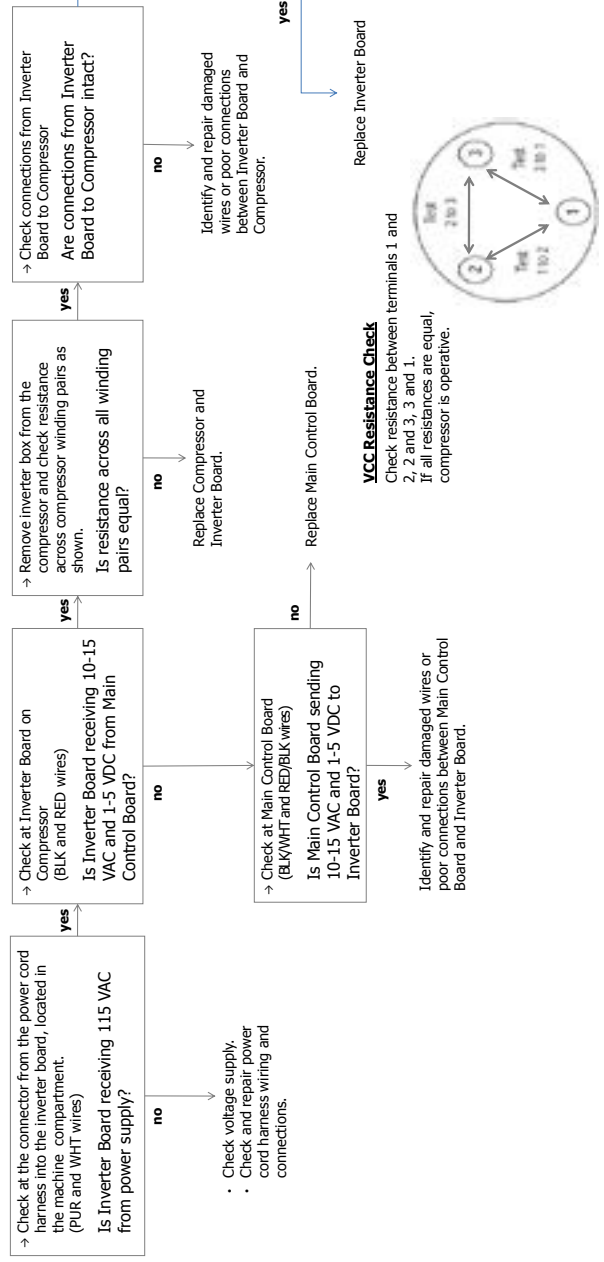
SERVICE DATA SHEET

ICE & WATER - AUTOMATIC DEFROST SIDE BY SIDE - R134a

A01461001

IMPORTANT: PLEASE RETURN THIS SHEET TO ITS ORIGINAL LOCATION

ERROR CODES			SPECIAL MODES			
Display	Interpretation	Mode	Display	Activate/Deactivate (press for up to 10 sec. simultaneously)		
FZ	FF		FZ	FF		
--	OP-	Open FF mid-level thermistor	Manual Defrost	d	F	FF UP and FF DOWN/same to deactivate
--	OP	Open FF upper-level thermistor	Display/Showroom	77	77	FZ UP and FF DOWN/Power-on-Reset (POR)
OP	--	Open FZ thermistor	Sabbath	Sb	Sb	FZ DOWN and FF UP/same to deactivate
--	SH-	Shorted FF mid-level thermistor	Diagnostic	No FF or FZ display, all UI LEDs on.		FZ UP and FZ DOWN/FF UP to deactivate
--	SH	Shorted FF upper-level thermistor	Notes: • Always check for pin back-outs, pinched or damaged wires before replacing components. • Determine whether failure is caused by the component, main control board or wiring. Contact TID before replacing main control board. • Refer to Service Manual for additional information.			
SH	--	Shorted FZ thermistor				
SY	CF	UI to Main Control Board communication failure; on start up				
SY	CE	UI Main Control Board communication error; after a period in operation				
SY	EF	Evaporator fan failure				



DIAGNOSTIC MODE			
Test	To activate test:	Passing result	
Activate:	Press FZ UP and FZ DOWN temperature pads for up to 10 sec. simultaneously. Press FF UP to advance through tests.		
Deactivate:	Press FF UP for up to 10 sec. Diagnostic Mode will automatically deactivate after 5 min. of inactivity. Note: Silence alarm.		
<ul style="list-style-type: none"> • Tests marked with "***" may not be applicable to this unit and will not be displayed in Diagnostic Mode. • Tests displayed in diagnostic mode but not described below are for internal purposes only; advance through. • View UI display for "on," "off," "CL," "OP," "SH," "LO," "HI" or numerical results of tests. • Listen for operating sounds; feel for heat or air flow as appropriate to determine results of tests. 			
--	First Screen	--	All LED lights on UI illuminated
--	Second Screen	--	All segments on UI temperature displays illuminated
--	Third Screen	--	Blank UI display, no lights illuminated, no shadowing; "-" and "+" blinking on FF display side to show location.
28	Dispenser Paddle	Press disp. paddle	"on" on UI when depressed; "off" when released
1*	Standard Compressor	Press power on-off	Compressor running when "on"; stopped when "off"
2	Defrost Heater	Press power on-off	Defrost limit switch must be closed; verify "CL" in test 26. Feel for heat from defrost heater when "on". If "OP" in test 26, heater will not activate.
3	FF Light	Press power on-off	With FF door open, FF lights on when "on"; off when "off"
8	Water Valve (Dispenser)	Press power on-off	FF door must be closed. Be prepared to collect water at dispenser. Water dispenses when "on"; stops when "off"
9	FZ Light	Press power on-off	With FZ door open, FZ lights on when "on", off when "off"
10	Auger Motor	Press power on-off	FF door must be closed. Motor running when "on"; motor stopped when "off"
11	Cube/Crush Solenoid	Press power on-off	FF door must be closed. Do not leave solenoid in activated state. Solenoid activated when "on"; deactivated when "off"
41*	Perfect Temp Drawer (PTD)	Press power on-off	PTD UI illuminated when "on", off when "off"
12*	VCC Condenser Fan	Press power on-off	Fan running when "on"; stopped when "off"
38*	VCC Compressor	Press power on-off	Compressor running when "on"; stopped when "off"
15	Evaporator Fan	Press power on-off	Fan running for minimum of 10 sec. when "LO" or "HI"; stopped when "off". Feedback failure if fan starts but runs less than 10 sec. Listen for speed change from "LO" to "HI".
22	Damper	Press power on-off	With inspection mirror, observe damper open when "OP"; closed when "CL"
23	FF Door	Open/close FF door	"CL" on UI when door closed; "OP" when open
24	FZ Door	Open/close FZ door	"CL" on UI when door closed; "OP" when open
26	Defrost Limit Switch	Activates automatically	"CL" on UI when closed; "OP" when open
36	Ice Chute Door	Depress ice chute door or press power on-off	"OP" on UI when manually opened; "CL" when closed. Or, using "power on-off", "OP" on UI when solenoid activated, "CL" when deactivated
29	FF Thermistor	Activates automatically	UI shows temperature sensed by FF thermistor; pass if within 10°F of temperature measured with gauge at mid-level FF thermistor location. "OP-" if open; "SH-" if short
30	FZ Thermistor	Activates automatically	UI shows temperature sensed by FZ thermistor; pass if within 10°F of temperature measured with gauge at FZ thermistor location. "OP" if open; "SH" if short
33	Ambient Thermistor @ Main Board	Activates automatically	UI shows temperature sensed at main board; pass if within +20°F/-10°F of temperature measured with gauge at main board location. "OP" if open; "SH" if short
34	Ambient Thermistor @ UI	Activates automatically	UI shows temperature sensed at UI; pass if within +20°F/-10°F of temperature measured with gauge at UI location. "OP" if open; "SH" if short
0-	Firmware Parameters	Press power on-off	Displays digit sequence; record
2-	Main Board Firmware	Press power on-off	Displays digit sequence; record
4-	UI Firmware	Press power on-off	Displays digit sequence; record

IMPORTANT SAFETY NOTE

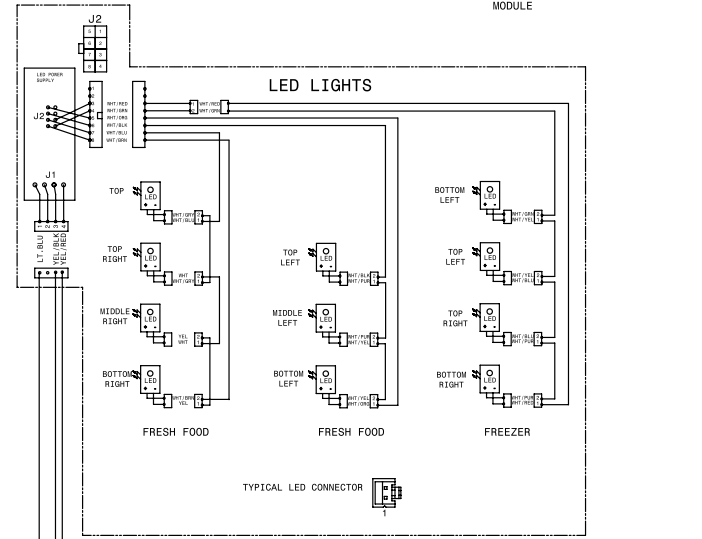
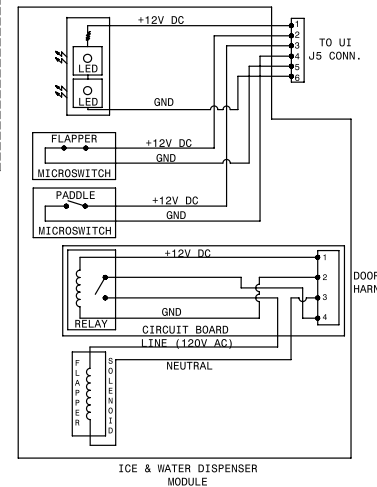
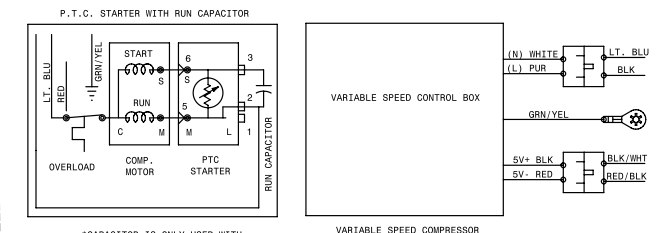
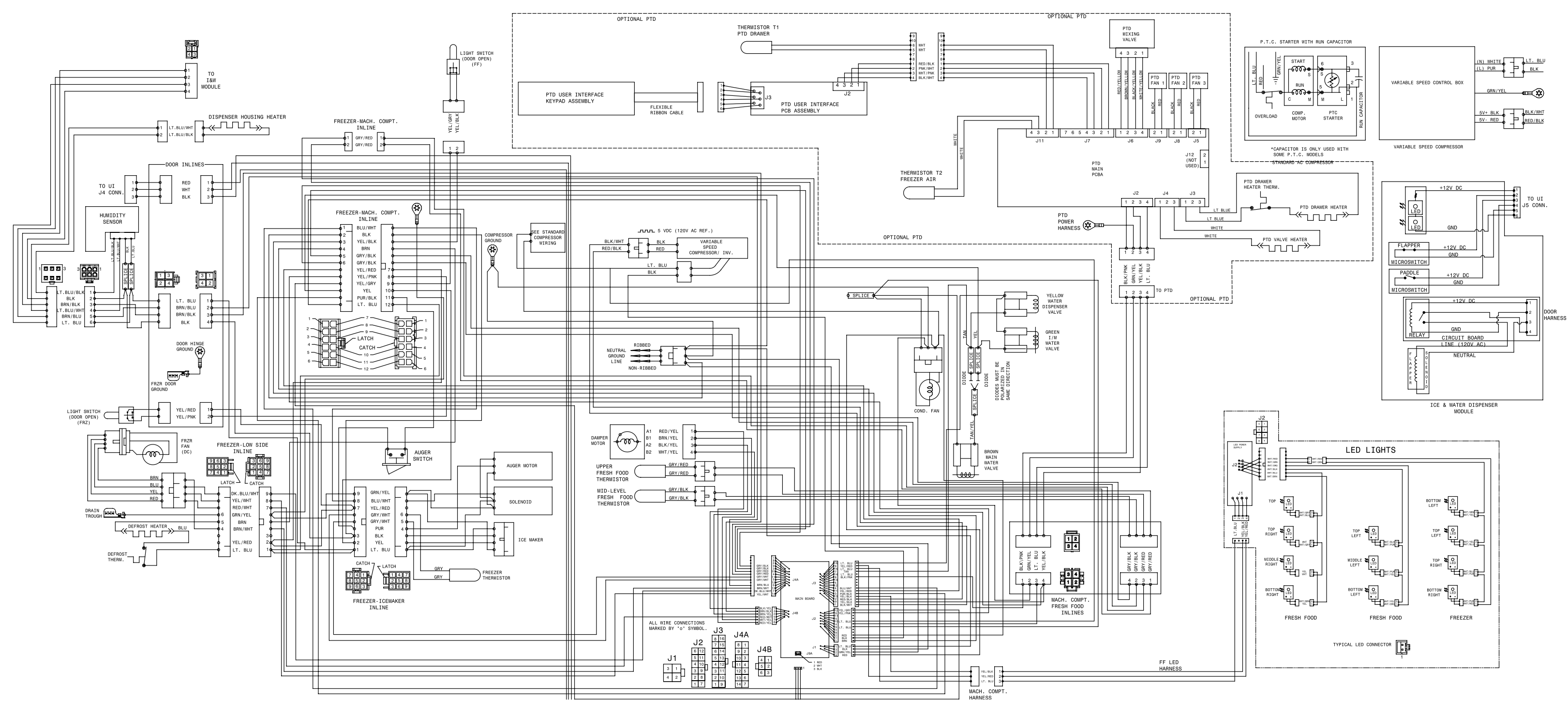
The information provided herein is designed to assist qualified repair personnel only. Untrained persons should not attempt to make repairs due to the possibility of electrical shock. Disconnect power cord before servicing this appliance.

IMPORTANT

If any green grounding wires are removed during servicing, they must be returned to their original position and properly secured.

CAUTION

All electrical parts and wiring must be shielded from torch flame. DO NOT allow torch to touch insulation; it will char at 200°F and flash ignite (burn) at 500°F. Excessive heat will distort the plastic liner.



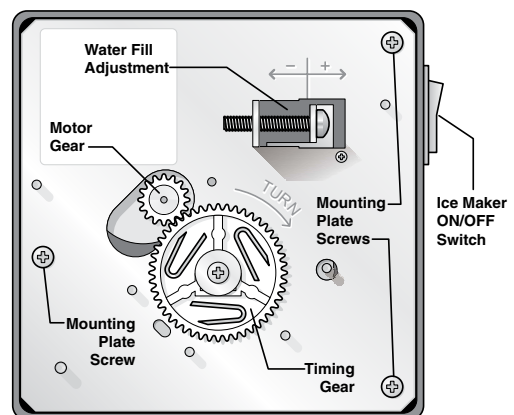
ICE MAKER INFORMATION

Test Cycling

Press the momentary contact on the ON/OFF switch for approximately 15 seconds. Ice maker will continue to complete the cycle.

Water Fill Volume

The water fill can be adjusted without removing the ice maker cover. To adjust the fill size, remove the small round plug next to the On/Off Switch. Insert a #2 Phillips screwdriver into the hole about an inch or until it engages the Water Fill Adjustment Screw. Turn the screw clockwise to reduce the fill size; turn the screw counterclockwise to increase the fill size. One turn equals approx 20cc (0.68 oz). The correct fill is 85 to 95cc (2.75 to 3.25 oz). When a water valve is replaced, check the fill volume.



ICE MAKER SPECIFICATIONS

Electrical	115 vac (127 vac max)
Thermostat	Opens at 48° F (9° C), Closes at 9° F (-13° C)
Heater Wattage	112 watts

ICE MAKER CONNECTOR PLUG CONNECTIONS

Wire Number	Wire Color	Connects to:
1	Green/Yellow	Ground
2	Yellow	Water Valve
3	Black	Line
4	Light Blue	Neutral

242164701
ELECTROLUX SxS

