



# Electrolux

## Factory Parts Catalog

Product No.	E15TC75HPS	E15TC75HSS
Series	Icon-Pro	Icon-Designer
Market	North America	North America
Color	stainless steel	stainless steel
Volts	120	120
Owner's Guide	99526808en	99526808en

# Electrolux

Electrolux Major Appliances  
North & Latin America  
P.O. BOX 212378  
AUGUSTA, GA 30917

Publication No.  
**5995599676**  
09/07/11  
(EN/SERVICE/ECL)  
099

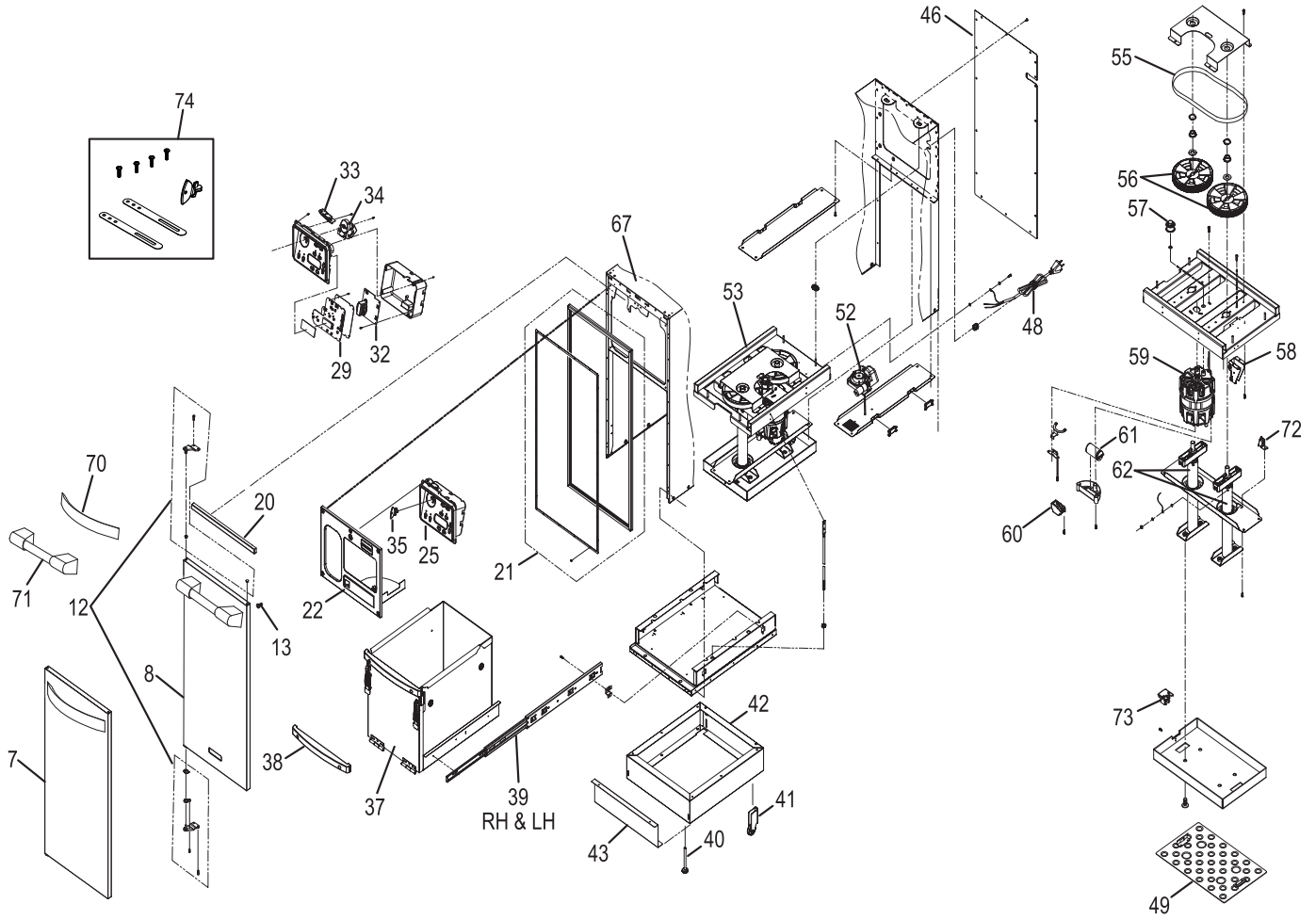
### TRASH COMPACTOR

Model No.  
**E15TC75H**

This Publication Replaces  
Publication # 5995529046

Copyright © 2011 Electrolux Home Products, Inc.  
All rights reserved.

**RECOMMENDED SPARE PARTS**

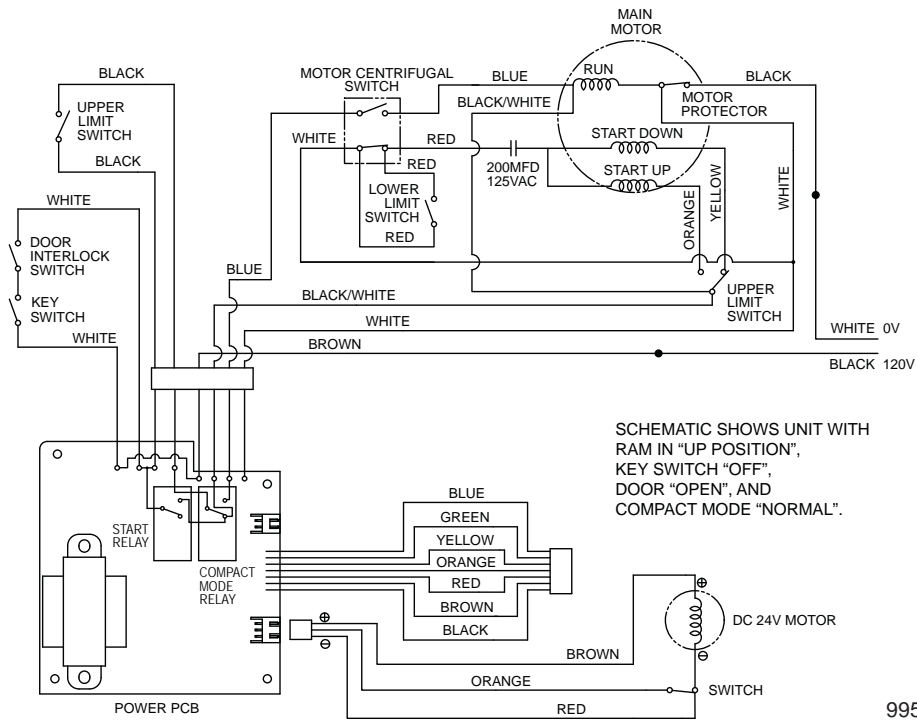
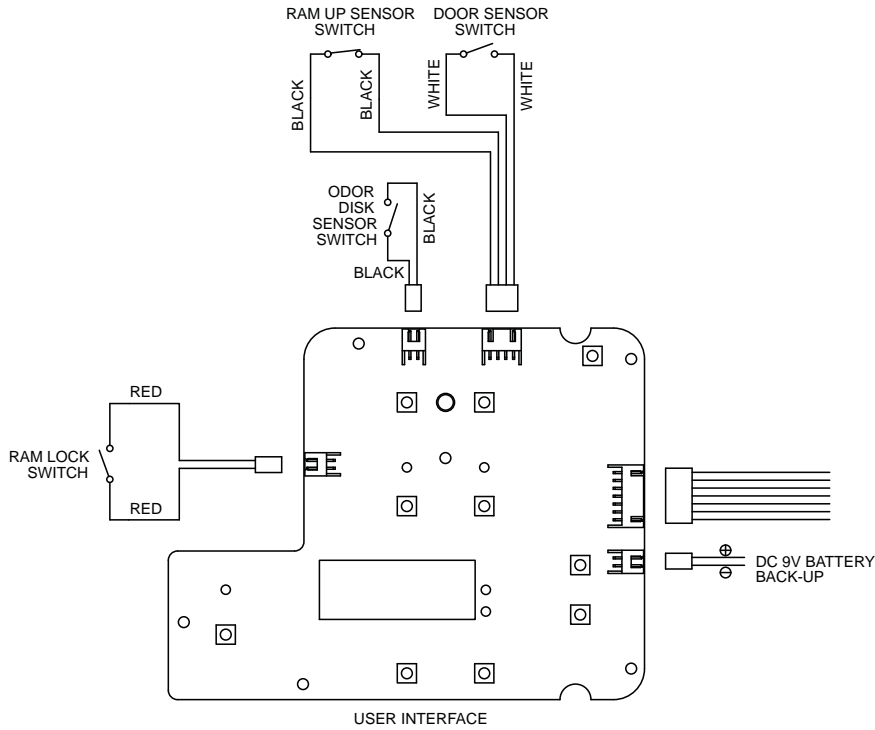


**RECOMMENDED SPARE PARTS**

*Model Index:* A E15TC75H (E15TC75HSS)  
B E15TC75H (E15TC75HPS)

POS. NO	PART NO.	DESCRIPTION
7	5304469070	A - Door Assy, Designer, w/handle
8	5304469071	- B Door Assy, Pro, w/handle
12	5304469073	A B Hinge Assembly, with pin, cap
13 #	5304469080	A B Actuator, interlock
20	5304469081	A B Cover, trim, plastic, top
21 #	5304469082	A B Gasket Assy, door, w/frame, screws
22	5304469083	A B Frame, control panel, auto
25 #	5304469085	A B Display Module, w/safety switch
29 #	5304469087	A B PC Board, main control
32 #	5304469089	A B Transformer, AC/DC
33 #	5304469090	A B Switch, interlock
34 #	5304469091	A B Touch Control, key pad
35	5304469092	A B Key, lock switch
37 #	5304469094	A B Bucket Assy, 37 #, Broan, S99526870, w/latch, handle
38	5304469095	A B Handle, bucket
39	5304469096	A B Slide Assembly, bucket, LH/RH
40	5304469097	A B Leveling Leg
41	5304469098	A B Roller, leveling
42	5304470119	A B Base, cabinet stand
43	5304469099	A B Toeplate, stainless
46	5304469101	A B Panel, back
48 #	5304469103	A B Power Cord, electric
49 #	5304469104	A B Plate, compaction, stainless
52 #	5304469110	A B Gear Motor, odor disk
53 #	5304469201	A B Power Unit, assembly assy
55 #	5304469203	A B Belt, drive
56 #	5304469313	A B Pulley, drive wheel, large
57 #	5304469314	A B Pulley, drive wheel, small
58 #	5304469315	A B Switch, limit, upper
59 #	5304469316	A B Motor, w/capacitor, switch
60 #	5304469317	A B Switch, centrifugal
61 #	5304469318	A B Capacitor, motor
62 #	5304469319	A B Ram Screw, assembly
67	5304470120	A B Cabinet, housing
70	5304470122	A - Handle, Icon-Designer
71	5304470123	- B Handle, Icon-Pro
72 #	5304470124	A B Switch, limit, lower
73	5304470125	A B Latch, compactor plate
74	5304484957	A B Mounting Kit, assembly, w/hardware-key

### WIRING DIAGRAM



99526904B