

# Under-Counter Ice Maker

E15IM60GSS designer series



### Integrated Electronic Control Panel

Our control panel is thoughtfully located in the top of the ice maker, leaving you with a clean look that fits any style.



### Crystal Clear Ice

Ice maker removes impurities from water, resulting in crystal clear, restaurant-quality ice.



### Large Capacity

Produces up to 60 pounds of ice per day, and can store up to 30 pounds at a time.



### Frost-Free Performance

Provides frost-free performance so you'll never have to defrost.

## 15" UNDER-COUNTER ICE MAKER

### FEATURES

Electronic Control with Signature Blue LED Display	Yes
Daily Ice Production	Up to 60 Lbs.
Ice Cube Type	Clear
Ice Cube Size	7/8"
Ice Cubes Produced per Cycle	32
Frost-Free Performance	Yes
3-Step Cleaning Process	Yes
Self-Cleaning of Mineral Deposits	Yes
Commercial Grade Heavy-Duty Circulation Pump	Yes
UltraQuiet Plus™ Sound Insulation Package	Yes
Field-Reversible Door	Yes
Self-Closing Door Mechanism	Yes
Adjustable Leveling Legs	Yes
Power On/Off Switch	Yes

### ACCESSORIES

Ice Scoop	Included
Cleaning Kit – PN# EIM41978	Optional
Drain Pump Kit – PN# EIMP60 (to be used if gravity-assisted drain is not available)	Optional

### ADDITIONAL FEATURES

Sabbath Mode (Star-K® Certified)	Yes
----------------------------------	-----

### SPECIFICATIONS

Overall Dimensions –	
Height	34-1/8" – 35-1/8"
Width	14-15/16"
Depth (Including Handle) (with 90° Door Open)	25-7/8" 38-1/4"
Power Cord Location	Left Bottom Rear
Water Inlet Location	Left Bottom Rear
Gravity Assisted Drain	Required
Voltage Rating	120V/60Hz/15A
Connected Load (kW Rating) @ 120 Volts <sup>†</sup>	0.48
Approved for Under-Counter Installation	Yes
Shipping Weight (Approx.)	109 Lbs.

<sup>†</sup>For use on adequately wired 120V, dedicated circuit having 2-wire service with a separate ground wire. Appliance must be grounded for safe operation.

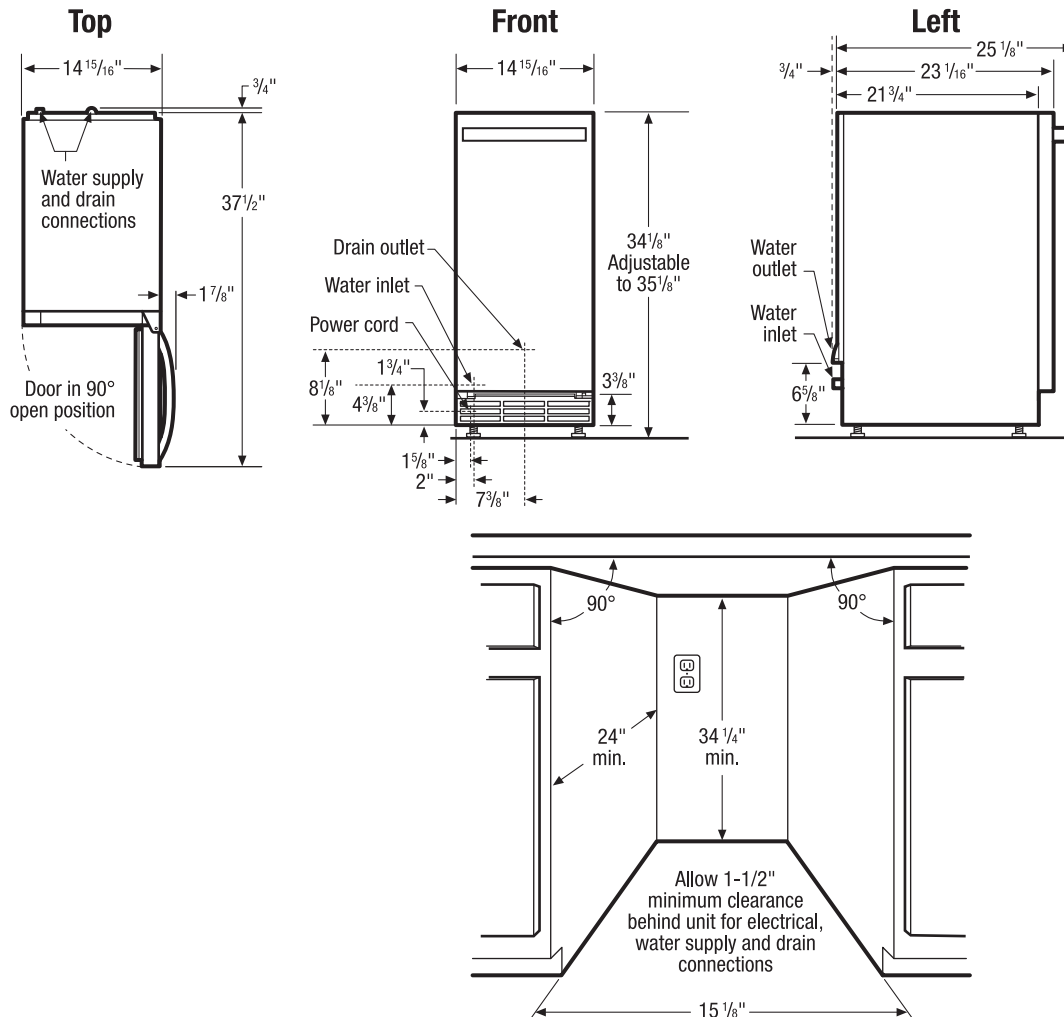
NOTE: Always consult local and national electric and plumbing codes. Refer to Product Installation Guide for detailed installation instructions on the web at [electroluxicon.com](http://electroluxicon.com).

Specifications subject to change.

# Under-Counter Ice Maker

E15IM60GSS designer series

Electrolux | ICON®



## Under-Counter Ice Maker Specifications

- Product Weight – 100 Lbs.
- Voltage Rating – 120V/60 Hz/15 Amps
- Connected Load (kW Rating) @ 120 Volts = 0.48kW (For use on adequately wired 120V, dedicated circuit having 2-wire service with a separate ground wire. Appliance must be grounded for safe operation.)
- Run Amps @ 120 Volts=4.0 Amps/Harvest Amps @ 120 Volts=5.5 Amps
- Electrical cable supplied.
- Water supply and electrical power source required.
- Always consult local and national electric & plumbing codes.
- Unit is designed for either freestanding or built-in, under-counter installation.
- Built-in, under-counter installation does not require additional airspace for top, sides or rear of unit.
- Allow 1-1/2" minimum clearance behind unit for electrical, water supply and drain connections.
- Front grille MUST remain unobstructed for proper ventilation.
- Can be installed using gravity drain or optional Drain Pump Kit (PN# EIMP60).
- Drain lines must have 5/8" inside diameter, 1" drop per 48" (1/4" per foot) of run and must not create traps.
- Floor drain must be large enough to accommodate drainage from all drains.
- Recommended water pressure between 30 and 120 pounds per square inch (psi).
- Unit MUST be level for proper operation, and positioned on flat surface, capable of supporting entire weight when fully loaded.
- Leveling legs supplied to adjust height and level unit.
- Can be installed outdoors, out of direct sunlight. Do NOT install behind closed doors.
- Do not position unit near any heat source or in direct sunlight to ensure optimum performance. Surrounding air temperature must be at least 50°F but must not exceed 110°F.
- Unit requires zero clearance when installing flush with cabinet or wall.
- When installing against cabinet or wall that extends beyond front edge of unit, 2-7/8" minimum handle clearance required to allow for 90° door swing, providing sufficient interior access. (Door is field reversible for right- or left-hand opening.)

**Note: For planning purposes only. Refer to Product Installation Guide on the web at [electroluxicon.com](http://electroluxicon.com) for detailed instructions.**

### Optional Accessories

- Drain Pump Kit – (PN# EIMP60).
- Cleaning Kit – (PN# EIM41978).

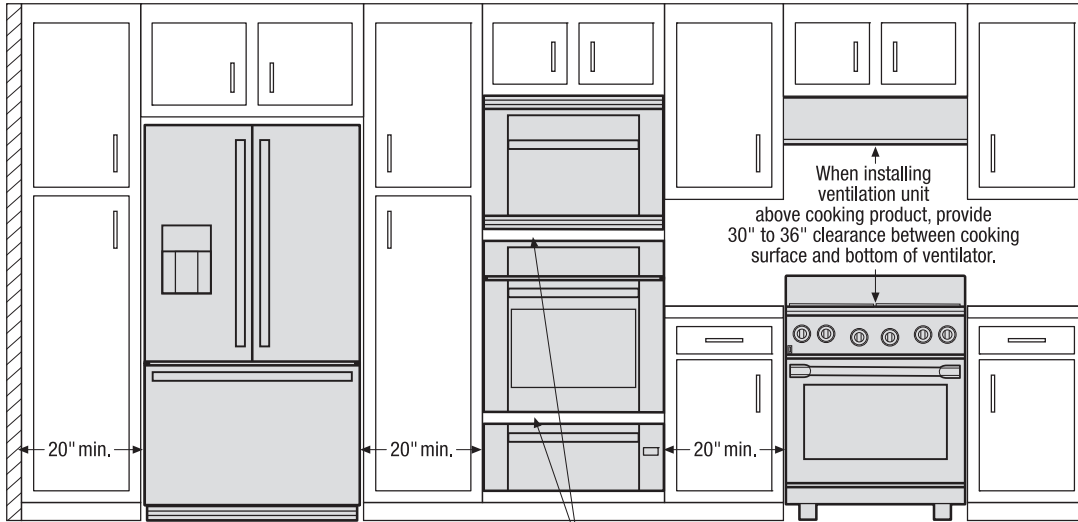
## Electrolux Major Appliances, N.A.

USA • 10200 David Taylor Drive • Charlotte, NC 28262 • 1-877-4electrolux (1-877-435-3287) • [electroluxicon.com](http://electroluxicon.com)  
 CANADA • 5855 Terry Fox Way • Mississauga, ON L5V 3E4 • 1-800-265-8352 • [electroluxicon.ca](http://electroluxicon.ca)



Use these dimensions and clearance instructions for planning purposes only. For detailed installation instructions, refer to installation guide, packed with product, or on the web at [electroluxicon.com](http://electroluxicon.com).

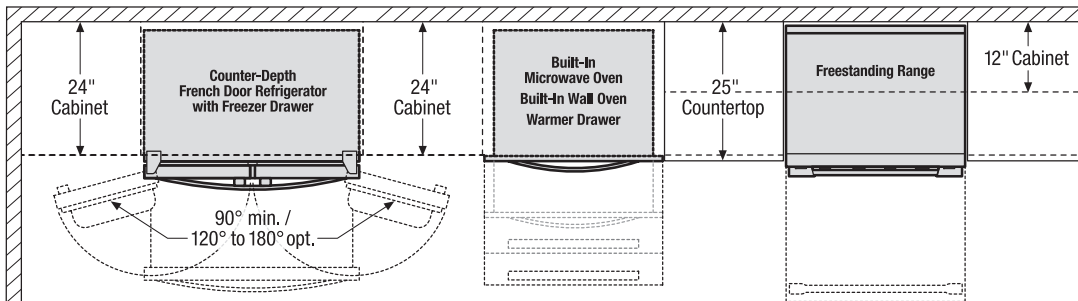
Front



When installing appliances adjacent to each other, 20" minimum distance between each appliance required.

When installing built-in cooking appliances in combination, 2" minimum visible gap between appliance faceplates required.

Top

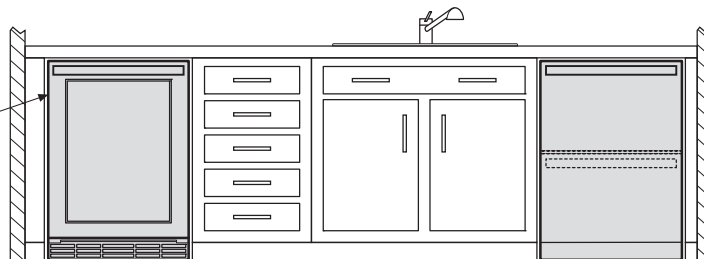


When installing refrigerator adjacent to wall, cabinet or another appliance that extends beyond front edge of unit, 20" minimum clearance recommended to allow for optimum 120° to 180° door swing, providing complete drawer/crisper access and removal.

When installing appliance with sliding drawer or drop-down door directly across from obstructions, provide sufficient clearance for drawer extension or door swing.

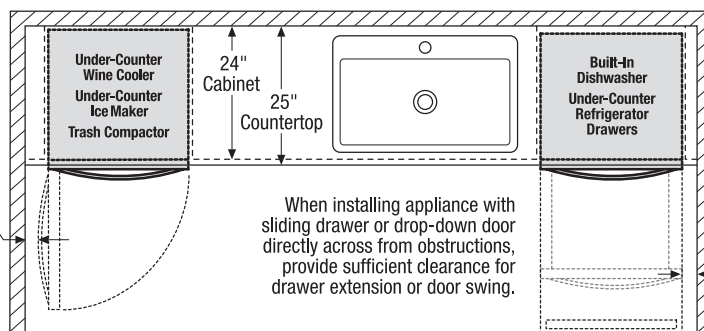
Front

To ensure optimum performance, avoid installing refrigeration appliances in direct sunlight or near heat source.



Top

When installing appliance with side-swing door adjacent to wall, cabinet, or other obstruction that extends beyond front edge of appliance, door swing and handle clearance must be sufficient to allow access to appliance interior.



When installing appliance with sliding drawer or drop-down door directly across from obstructions, provide sufficient clearance for drawer extension or door swing.

When installing appliance with sliding drawer or drop-down door adjacent to wall, cabinet, or other obstruction that extends beyond front edge of appliance, allow 2" minimum clearance between drawer or door and obstruction.

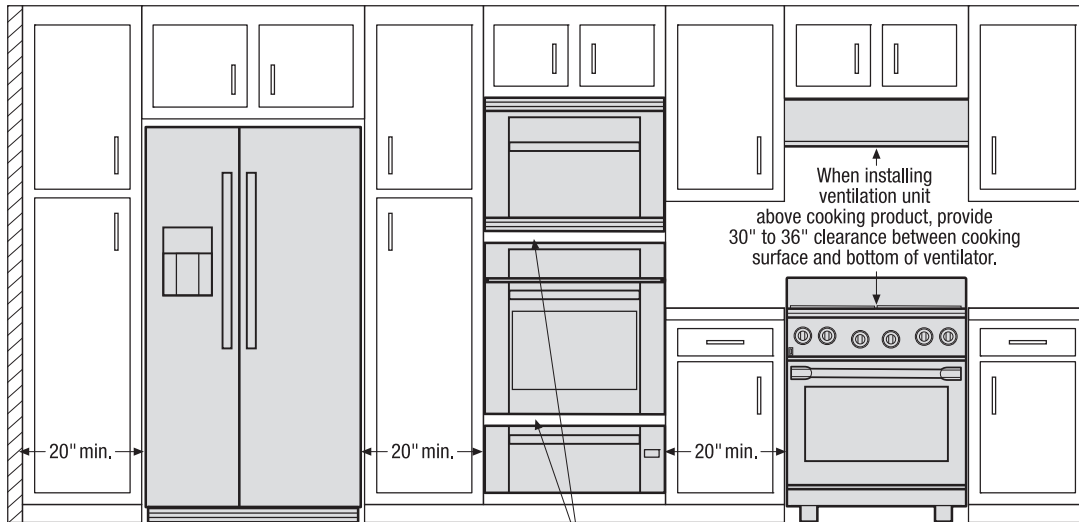
Electrolux Major Appliances, N.A.

USA • 10200 David Taylor Drive • Charlotte, NC 28262 • 1-877-4electrolux (1-877-435-3287) • [electroluxicon.com](http://electroluxicon.com)  
CANADA • 5855 Terry Fox Way • Mississauga, ON L5V 3E4 • 1-800-265-8352 • [electroluxicon.ca](http://electroluxicon.ca)

High standards of quality at Electrolux Home Products, Inc. mean we are constantly working to improve our products. We reserve the right to change specifications or discontinue models without notice.

Use these dimensions and clearance instructions for planning purposes only. For detailed installation instructions, refer to installation guide, packed with product, or on the web at [electroluxicon.com](http://electroluxicon.com).

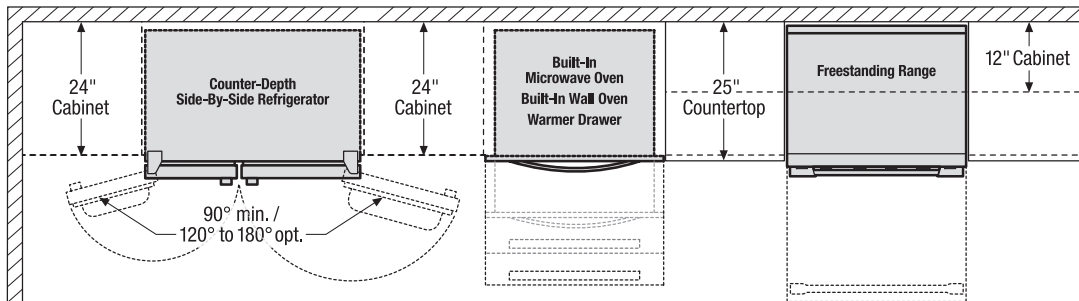
Front



When installing appliances adjacent to each other, 20" minimum distance between each appliance required.

When installing built-in cooking appliances in combination, 2" minimum visible gap between appliance faceplates required.

Top

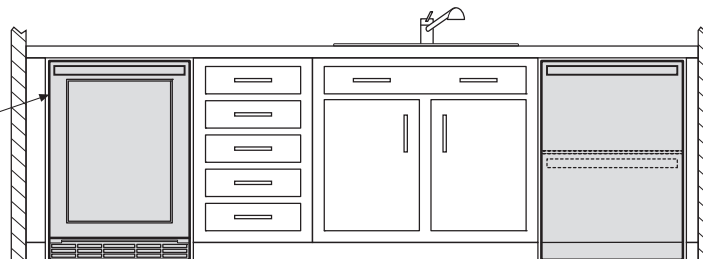


When installing refrigerator adjacent to wall, cabinet or another appliance that extends beyond front edge of unit, 20" minimum clearance recommended to allow for optimum 120° to 180° door swing, providing complete drawer/crisper access and removal.

When installing appliance with sliding drawer or drop-down door directly across from obstructions, provide sufficient clearance for drawer extension or door swing.

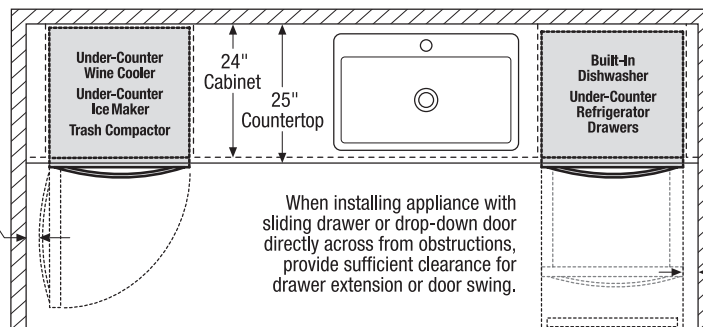
Front

To ensure optimum performance, avoid installing refrigeration appliances in direct sunlight or near heat source.



Top

When installing appliance with side-swing door adjacent to wall, cabinet, or other obstruction that extends beyond front edge of appliance, door swing and handle clearance must be sufficient to allow access to appliance interior.



When installing appliance with sliding drawer or drop-down door directly across from obstructions, provide sufficient clearance for drawer extension or door swing.

When installing appliance with sliding drawer or drop-down door adjacent to wall, cabinet, or other obstruction that extends beyond front edge of appliance, allow 2" minimum clearance between drawer or door and obstruction.

## Electrolux Major Appliances, N.A.

USA • 10200 David Taylor Drive • Charlotte, NC 28262 • 1-877-4electrolux (1-877-435-3287) • [electroluxicon.com](http://electroluxicon.com)  
 CANADA • 5855 Terry Fox Way • Mississauga, ON L5V 3E4 • 1-800-265-8352 • [electroluxicon.ca](http://electroluxicon.ca)

High standards of quality at Electrolux Home Products, Inc. mean we are constantly working to improve our products. We reserve the right to change specifications or discontinue models without notice.