



Electrolux

ICON

French Door Refrigerator

professional series

E23BC69SPS



PRODUCT DIMENSIONS

Height	69-1/2"
Width	35-5/8"
Depth (Including Door)	26-7/8"

MORE EASY-TO-USE FEATURES

Custom-Design™ Glass Shelves

All glass shelves are as beautiful as they are functional. The flexible shelves can be arranged in a variety of configurations to fit wide and tall items.

Custom-Set™ Controls

Smooth-Glide® Crisper Drawers

Crisper Drawers smoothly glide out and keep even the most delicate fruits and vegetables fresh with adjustable humidity control and minimal temperature variation.

Smooth-Glide® Freezer Drawers

Drawers glide out smoothly and fully extend giving you easy access to what's inside.

Largest Number of Preset Selections

Nine preset selections including White/Sparkling Wine, Cheese, Fish/Shellfish or even Perfect Marinade so you can perfectly marinate your beef tenderloin.

Alarm System

Notifies you if there's been a power failure, if a door stays open longer than five minutes and if the interior temperature of the refrigerator ever rises above 56 degrees for more than 20 minutes.

"My Favorite" Settings

Customize these 3 settings to store your favorite items at the ideal temperature.

Twice the Ice

You get filtered, restaurant-quality ice featuring a new drink-friendly shape, twice the ice as any refrigerator ice maker — up to 9 pounds in 24 hours.

Available In:



Stainless
(S)

Signature Features



Custom Temp Drawer™

Enjoy the ultimate in versatility with 9 preset selections including White/Sparkling Wine, Fish/Shellfish, Cheese plus three customizable settings that ensure foods stay at the ideal temperature for serving and maintaining freshness.



Custom-Design™ Organization System

With our flexible Tri-Level freezer organization system you can keep your freezer well organized. The three Smooth-Glide® baskets with removable dividers and top removable baskets allow you to configure the space to neatly fit large and small items.



Theatre Lighting

Transition LED lighting gradually illuminates the interior with soft but ample light as you open the door.



PureAdvantage® Filtration Systems

Our filtration system keeps clean, filtered air circulated throughout to prevent odor transfer and keeps fresh, clean water and ice at your fingertips.

23 CU.FT. COUNTER-DEPTH FRENCH DOOR REFRIGERATOR

CAPACITIES

Total Capacity	22.3 Cu. Ft.
Fresh Food Volume	15.46 Cu. Ft.
Freezer Volume	6.82 Cu. Ft.
Total Shelf Area	28.4 Sq. Ft.
Fresh Food Shelf Area	21.77 Sq. Ft.
Freezer Shelf Area	6.67 Sq. Ft.

EXTERIOR

Professional Door and Handle Design	Yes
Electronic Controls	Custom-Set™
Hidden Hinge Door Design	Yes

FRESH FOOD CONVENIENCES

3M PureAdvantage® Water & Ice	Yes
PureAdvantage™ Air Filtration/Water Filter Location	Yes/Bottom Left
Temp Alarm System/Door Ajar Alarm	Yes/Yes
Power Failure Alarm	Yes
Custom-Design™ Glass Shelves	Flat, Lift-Off
Humidity-Controlled Left Crisper	Smooth-Glide®
Humidity-Controlled Right Crisper	Smooth-Glide®
Custom Temp Drawer™	Yes
Wine and Beverage Rack	Yes
Clear Gallon Door Bins (Adjustable)	2
Clear 1/2-Gallon Door Bins (Adjustable)	3
Clear Dairy Door	Yes
Clear Tilt-Out Can Racks	2
Theatre Ramp-Up Multilevel Lighting – LED	Yes

FREEZER CONVENIENCES

Automatic Ice Maker	Yes
Self-Closing Drawer	Yes
Sliding Freezer Baskets	Yes
Soft Freeze™ Bin/Wire Pizza Slot	No/Yes
Fast Ice™/Fast Freeze™	Yes/Yes
Plastic Basket Tray	
Theatre Ramp-Up Multilevel Lighting – LED	Yes

ADDITIONAL FEATURES

Sabbath Mode (Star-K® Certified)	Yes
----------------------------------	-----

ACCESSORIES

Collar Kit – PN# ECK23CDS*	Optional
Louvered Trim Kit – PN# 241723001*	Optional
Water Filter Replacement Cartridge – PN# EWF02	Optional
Air Filter Replacement Cartridge – PN# EAFCBF	Optional

SPECIFICATIONS

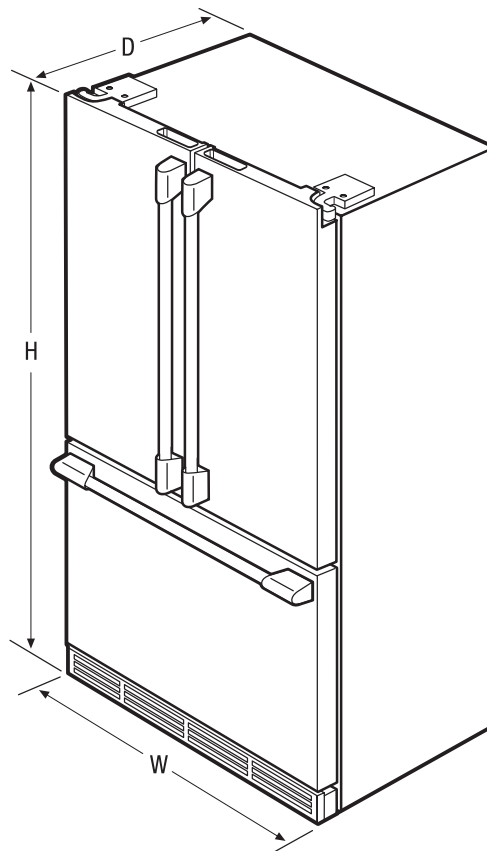
Power Supply Connection Location	Right Bottom Rear
Water Inlet Location	Left Bottom Rear
Voltage Rating	120V/60 Hz
Connected Load (kW Rating) @ 120 Volts ²	1.02
Minimum Circuit Required (Amps)	15
Shipping Weight (Approx.)	347 Lbs.

*For detailed Louvered Trim Kit and Collar Kit installation instructions, refer to Product Installation Guides on the web at electroluxicon.com.

²An electrical supply with grounded three-prong receptacle is required. The power supply circuit must be installed in accordance with current edition of National Electrical Code (NFPA 70) and local codes & ordinances.

NOTE: Always consult local and national electric codes. Refer to Product Installation Guide for detailed installation instructions on the web at electroluxicon.com.

Specifications subject to change.



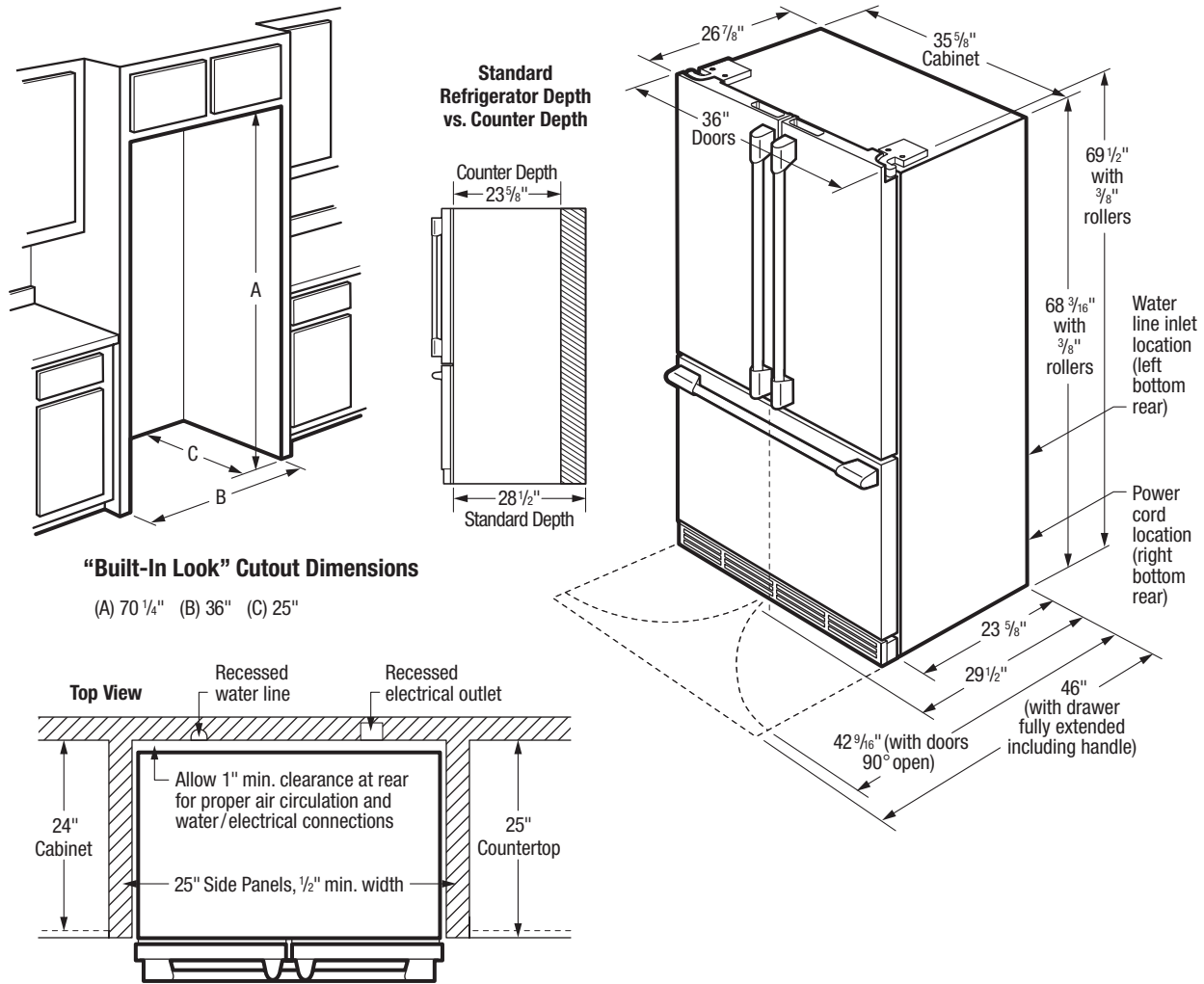
PRODUCT DIMENSIONS

Height (Including Door)	69-1/2"
Width	35-5/8"
Depth (Including Door)	26-7/8"
(with Door 90° Open)	42-9/16"
(with Drawer Fully Extended)	46"

Electrolux Major Appliances, N.A.

USA • 10200 David Taylor Drive • Charlotte, NC 28262 • 1-877-4electrolux (1-877-435-3287) • electroluxicon.com
 CANADA • 5855 Terry Fox Way • Mississauga, ON L5V 3E4 • 1-800-265-8352 • electroluxicon.ca





Counter-Depth French Door Refrigerator Specifications

- Product Weight – 342 Lbs.
- An electrical supply with grounded three-prong receptacle is required. The power supply circuit must be installed in accordance with current edition of National Electrical Code (NFPA 70) and local codes & ordinances.
- Voltage Rating – 120V/60Hz
- Connected Load (kW Rating) @120 Volts = 1.02kW
- Amps @120 Volts = 8.5 Amps
- Always consult local and national electric & plumbing codes.
- Floor should be level surface of hard material, capable of supporting fully loaded refrigerator.
- When installing refrigerator adjacent to wall, cabinet or other appliance that extends beyond front edge of unit, 20" minimum clearance recommended to allow for optimum 120° to 180° door swing, providing complete drawer/ crispener access and removal. (*Absolute 4-1/2" minimum clearance will ONLY allow for 90° door swing which will provide drawer/crisper access with restricted removal.*)
- To ensure optimum performance, avoid installing in direct sunlight or close proximity to range, dishwasher or other heat source.
- For proper ventilation, front grille MUST remain unobstructed.
- Recess electrical outlet when possible.
- Water recess on rear wall recommended to prevent water line damage.
- Water Pressure – Cold water line must provide between 30 and 100 pounds per square inch (psi).

- Copper tubing with 1/4" O.D. recommended for water supply line with length equal to distance from rear of unit to household water supply line plus 7 additional feet. Optional Water Supply Installation Kits available.
- Adjustable front rollers to assist with door alignment.
- If optional Collar Kit (PN# ECK23CDS) is to be used, different cutout dimensions are required. (*Refer to Collar Kit ECK23CDS Installation Specifications page on web.*)
- If optional Louvered Trim Kit (PN# 241723001) is to be used, different cutout dimensions are required. (*Refer to Louvered Trim Kit 241723001 Installation Specifications page on web.*)
- "Built-In Look" Specifications
- Minimum opening of 70-1/4"H x 36"W x 25"D required to allow for ease of installation, proper air circulation, and plumbing/ electrical connections.
- Remove all wall/floor molding prior to installation.

Note: For planning purposes only. Refer to Product Installation Guide on the web at electroluxicon.com for detailed instructions.

Optional Accessories

- Collar Kit – (PN# ECK23CDS).
- Louvered Trim Kit – (PN# 241723001).
- PureAdvantage® Water Filter Replacement Cartridge – (PN# EWF02).
- PureAdvantage® Air Filter Replacement Cartridge – (PN# EAF02).



Electrolux Major Appliances, N.A.

USA • 10200 David Taylor Drive • Charlotte, NC 28262 • 1-877-4electrolux (1-877-435-3287) • electroluxicon.com
 CANADA • 5855 Terry Fox Way • Mississauga, ON L5V 3E4 • 1-800-265-8352 • electroluxicon.com