

# Counter-Depth Refrigerator

E23CS78HPS professional series



Shown with optional  
Louvered Trim Kit  
(PN# 4480).



### PureAdvantage® Filtration Systems

Our filtration system keeps clean, filtered air circulated throughout to prevent odor transfer and keeps fresh, clean water and ice at your fingertips.



### Theatre Lighting

Features luxury ramp-up transition lighting for a beautiful, visible interior.



### Express Freeze™

Freezes food faster to lock in freshness.



### Custom-Design™ Smooth-Glide® Shelves

Three full-depth, all-glass shelves fully extend and glide out with ease.

## 23 CU. FT. COUNTER-DEPTH REFRIGERATOR

### CAPACITIES

Total Capacity	22.6 Cu. Ft.
Fresh Food Volume	14.06 Cu. Ft.
Freezer Volume	8.5 Cu. Ft.
Total Shelf Area	23.7 Sq. Ft.
Fresh Food Shelf Area	17.26 Sq. Ft.
Freezer Shelf Area	6.4 Sq. Ft.

### EXTERIOR

Ice/Water Dispenser	7 Button
Lighted Actuators	Yes
Crushed/Cubes/Water	Yes
Express Ice®	Yes
Express Freeze™	Yes
Lock	Yes
Filter Reset	Yes

### FRESH FOOD CONVENIENCES

PureAdvantage® Water Filtration System	Yes
PureAdvantage® Air Filtration System	Yes
Door-Ajar/Power Failure/High-Temp Alarm	Yes/Yes/Yes
Custom-Design™ Smooth-Glide® Shelves with Silver Trim	3
Clear 1-Gallon Removable Door Bin	1
Clear 2-Liter Adjustable Door Bin	2
Removable Dairy Compartment with Clear Door	1
Clear Temp-Controlled Deli/Meat Drawer with Silver Trim	1
Dual Humidity-Controlled Clear Crisper with Silver Trim	1
Lower Humidity-Controlled Clear Crisper with Silver Trim	1
Condiment Bottle Door Storage	1
In-Door Can Rack	1
Clear Tall Bottle Retainer	1
Theatre Lighting	Yes

### FREEZER CONVENIENCES

Automatic Ice Maker with Ice Server	Factory Installed
Ice Maker On/Off Switch	Yes
Glass Shelf with Silver Trim	2
Smooth-Glide® Full-Extension Freezer Basket	1
Full-Width/Full-Extension Basket	2
Full-Width Lower Basket	1
Fixed Door Bin	1
Silver Tilt-Out Wire Door Rack	3
Ice Cream Shelf	Yes
Dual-Level Lighting	Yes

### INSTALLATION

Adjustable Rollers	Yes
Door Stops	Yes

### ACCESSORIES

Collar Kit – PN# ECK23CDS*	Optional
Louvered Trim Kit – PN# 4480*	Optional
Water Filter Replacement Cartridge – PN# EWF01	Optional
Air Filter Replacement Cartridge – PN# EAFCBF	Optional

### ADDITIONAL FEATURES

ENERGY STAR®	Yes
--------------	-----

### SPECIFICATIONS

Overall Dimensions –	
Height (with 3/8" rollers)	68-3/16"
Cabinet Width/Door Width	35-5/8"/36"
Depth (Including Handle) (with 90° Door Open)	29-1/2" 45-1/4"
Power Supply Connection Location	Right Bottom Rear
Water Line Inlet Location	Left Bottom Rear
Voltage Rating	120V/60 Hz/15 or 20A
Connected Load (kW Rating) @ 120 Volts†	1.02
Minimum Circuit Required (Amps)	15/20
Shipping Weight (Approx.)	325 Lbs.

\* For detailed Louvered Trim Kit and Collar Kit installation instructions, refer to Product Installation Guides on the web at [electroluxicon.com](http://electroluxicon.com).

† For use on adequately wired 120V, dedicated circuit having 2-wire service with a separate ground wire. Appliance must be grounded for safe operation.

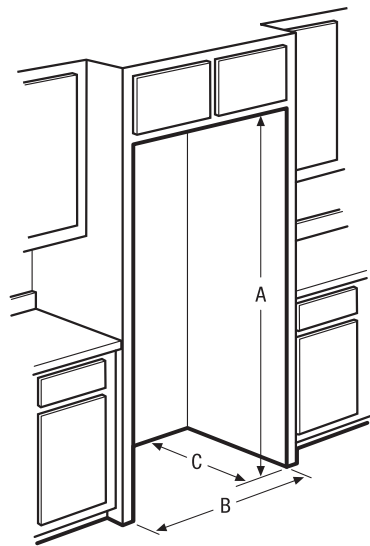
NOTE: Always consult local and national electric and plumbing codes. Refer to Product Installation Guide for detailed installation instructions on the web at [electroluxicon.com](http://electroluxicon.com).

Specifications subject to change.

# Counter-Depth Refrigerator

E23CS78HPS professional series

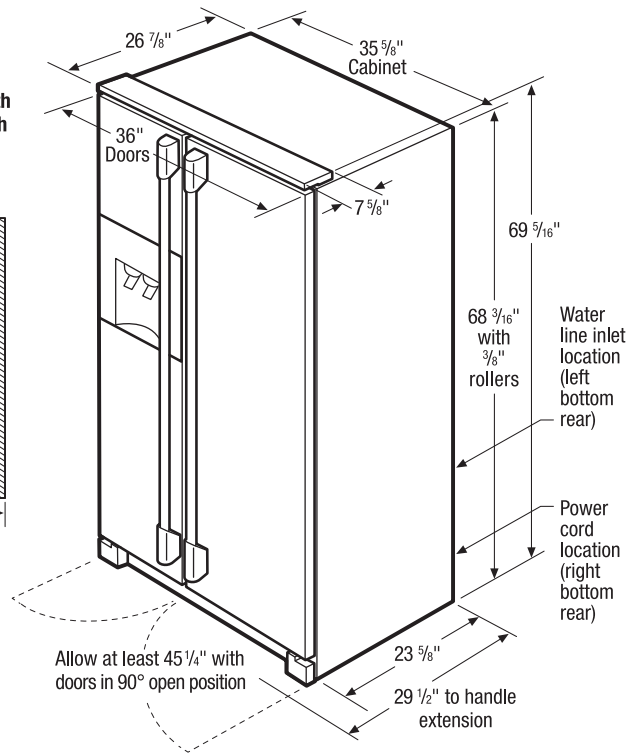
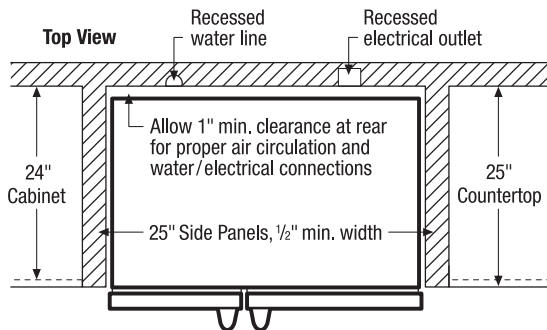
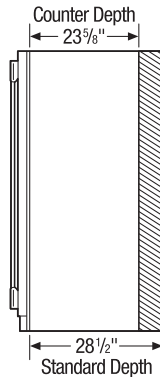
Electrolux | ICON®



**“Built-In Look” Cutout Dimensions**

(A) 70 1/4" (B) 36" (C) 25"

## Standard Refrigerator Depth vs. Counter Depth



**Note:** Optional Louvered Trim Kit and Collar Kit available for Counter-Depth Refrigerator. For specifications, refer to Louvered Trim Kit (4480) Installation page or Collar Kit (ECK23CDS) Installation page on web.

## Counter-Depth Refrigerator Specifications

- Product Weight – 300 Lbs.
- Voltage Rating – 120V/60 Hz/15 or 20 Amps
- Connected Load (kW Rating) @ 120 Volts = 1.02kW (For use on adequately wired 120V, dedicated circuit having 2-wire service with a separate ground wire. Appliance must be grounded for safe operation.)
- Amps @ 120 Volts = 8.5 Amps
- Always consult local and national electric & plumbing codes.
- When installing next to wall allow 3-1/2" handle clearance.
- Floor should be level surface of hard material, capable of supporting fully loaded refrigerator.
- When installing refrigerator adjacent to wall, cabinet or other appliance that extends beyond front edge of unit, 20" minimum clearance recommended to allow for optimum 120° to 180° door swing, providing complete drawer/crisper access and removal. (*Absolute 4-1/2" minimum clearance will ONLY allow for 90° door swing which will provide drawer/crisper access with restricted removal.*)
- To ensure optimum performance, avoid installing in direct sunlight or close proximity to range, dishwasher or other heat source.
- For proper ventilation, front grille MUST remain unobstructed.
- Recess electrical outlet when possible.
- Water recess on rear wall recommended to prevent water line damage.
- Water Pressure – Cold water line must provide between 30 and 100 pounds per square inch (psi).

- Copper tubing with 1/4" O.D. recommended for water supply line with length equal to distance from rear of unit to household water supply line plus 7 additional feet. Optional Water Supply Installation Kits available.
- Adjustable front rollers to assist with door alignment.
- If optional Collar Kit (PN# ECK23CDS) is to be used, different cutout dimensions are required. (*Refer to Collar Kit ECK23CDS Installation Specifications page on web.*)
- If optional Louvered Trim Kit (PN# 4480) is to be used, different cutout dimensions are required. (*Refer to Louvered Trim Kit 4480 Installation Specifications page on web.*)

## “Built-In Look” Specifications

- Minimum opening of 70-1/4"H x 36"W x 25"D required to allow for ease of installation, proper air circulation, and plumbing/electrical connections.
- Remove all wall/floor molding prior to installation.

**Note:** For planning purposes only. Refer to Product Installation Guide on the web at [electroluxicon.com](http://electroluxicon.com) for detailed instructions.

## Optional Accessories

- Collar Kit – (PN# ECK23CDS).
- Louvered Trim Kit – (PN# 4480).
- PureAdvantage® Water Filter Replacement Cartridge – (PN# EWF01).
- PureAdvantage® Air Filter Replacement Cartridge – (PN# EAFCBF).

## Electrolux Major Appliances, N.A.

USA • 10200 David Taylor Drive • Charlotte, NC 28262 • 1-877-4electrolux (1-877-435-3287) • [electroluxicon.com](http://electroluxicon.com)  
 CANADA • 5855 Terry Fox Way • Mississauga, ON L5V 3E4 • 1-800-265-8352 • [electroluxicon.ca](http://electroluxicon.ca)

E23CS78HPS 04/11

© 2011 Electrolux Home Products, Inc.

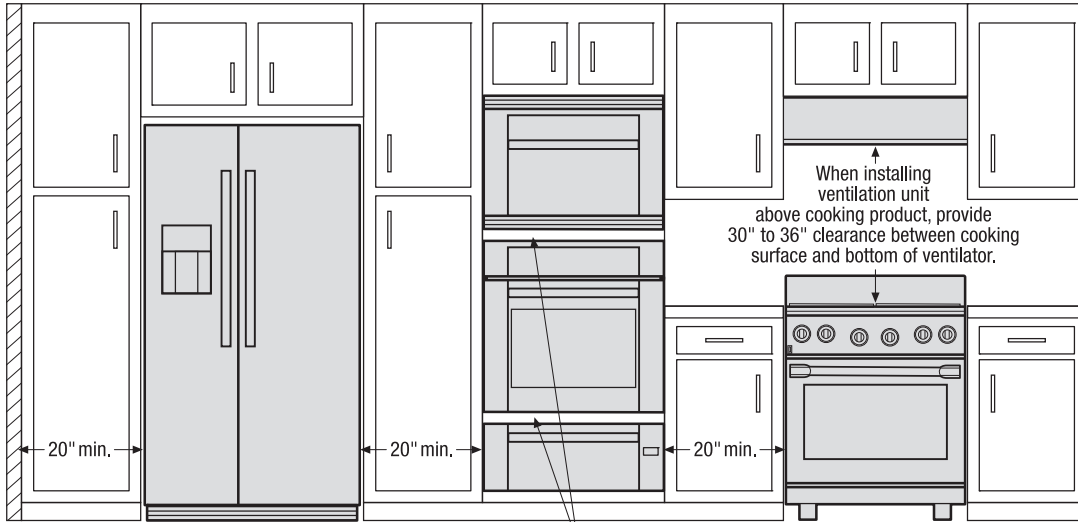


High standards of quality at Electrolux Home Products, Inc. mean we are constantly working to improve our products. We reserve the right to change specifications or discontinue models without notice.

Printed in the U.S.A.

Use these dimensions and clearance instructions for planning purposes only. For detailed installation instructions, refer to installation guide, packed with product, or on the web at [electroluxicon.com](http://electroluxicon.com).

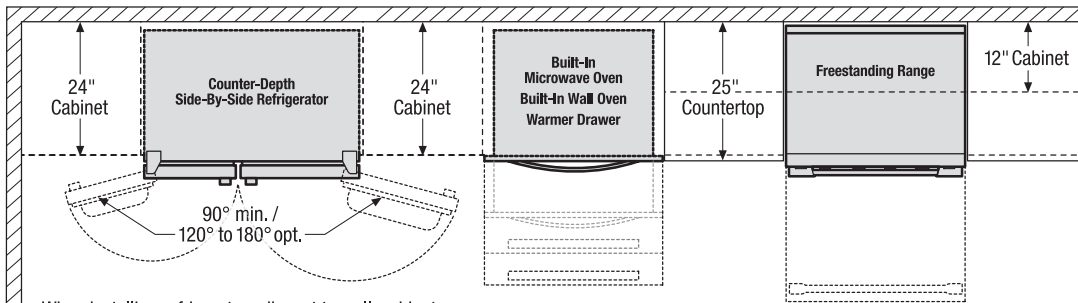
Front



When installing appliances adjacent to each other, 20" minimum distance between each appliance required.

When installing built-in cooking appliances in combination, 2" minimum visible gap between appliance faceplates required.

Top

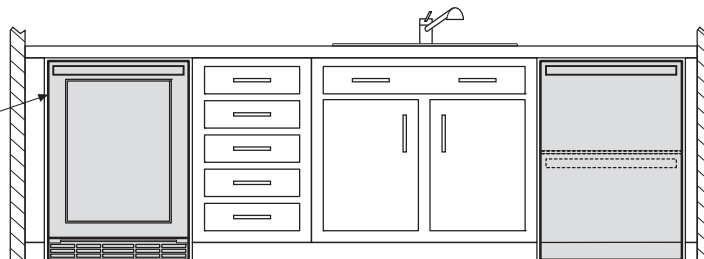


When installing refrigerator adjacent to wall, cabinet or another appliance that extends beyond front edge of unit, 20" minimum clearance recommended to allow for optimum 120° to 180° door swing, providing complete drawer/crisper access and removal.

When installing appliance with sliding drawer or drop-down door directly across from obstructions, provide sufficient clearance for drawer extension or door swing.

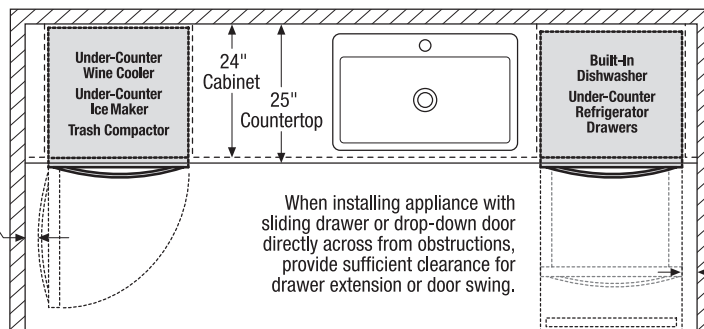
Front

To ensure optimum performance, avoid installing refrigeration appliances in direct sunlight or near heat source.



Top

When installing appliance with side-swing door adjacent to wall, cabinet, or other obstruction that extends beyond front edge of appliance, door swing and handle clearance must be sufficient to allow access to appliance interior.

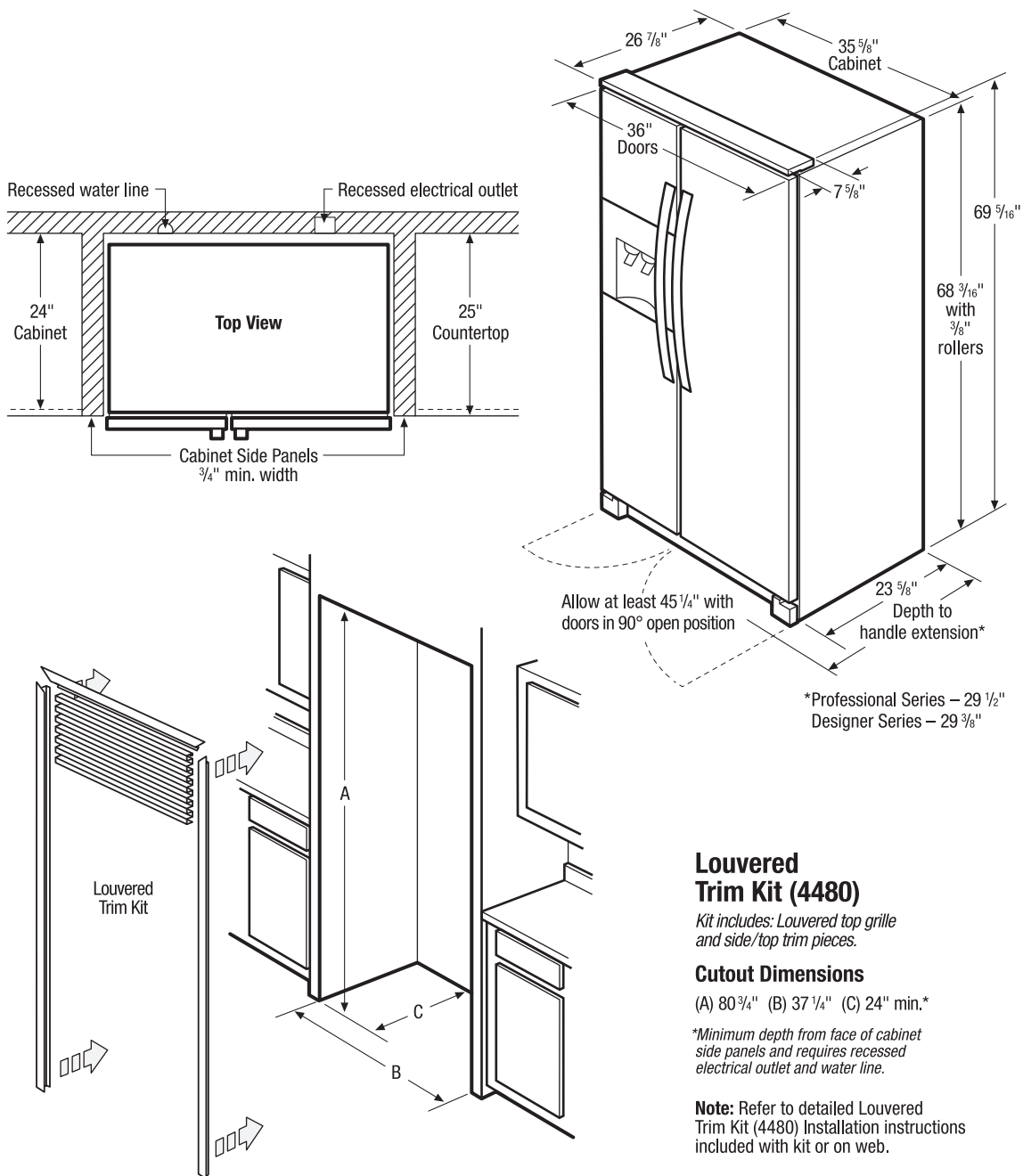


When installing appliance with sliding drawer or drop-down door adjacent to wall, cabinet, or other obstruction that extends beyond front edge of appliance, allow 2" minimum clearance between drawer or door and obstruction.

Electrolux Major Appliances, N.A.

USA • 10200 David Taylor Drive • Charlotte, NC 28262 • 1-877-4electrolux (1-877-435-3287) • [electroluxicon.com](http://electroluxicon.com)  
CANADA • 5855 Terry Fox Way • Mississauga, ON L5V 3E4 • 1-800-265-8352 • [electroluxicon.ca](http://electroluxicon.ca)

High standards of quality at Electrolux Home Products, Inc. mean we are constantly working to improve our products. We reserve the right to change specifications or discontinue models without notice.



## Louvered Trim Kit (4480)

Kit includes: Louvered top grille and side/top trim pieces.

### Cutout Dimensions

(A) 80 3/4" (B) 37 1/4" (C) 24" min.\*

\*Minimum depth from face of cabinet side panels and requires recessed electrical outlet and water line.

**Note:** Refer to detailed Louvered Trim Kit (4480) Installation instructions included with kit or on web.

### Counter-Depth Side-by-Side Refrigerator Optional Louvered Trim Kit (4480) Specifications

- To use Louvered Trim Kit (PN# 4480), an enclosure is required around Counter-Depth Side-by-Side Refrigerator having an opening of 80-3/4" H x 37-1/4" W with minimum cabinet side panels of 24" D x 3/4" W.
- Minimum 24" depth requires recessed electrical outlet and water line.
- Cabinet or soffit above unit must extend out to same depth as side panels.

- Minimum 7' x 7' clear floor space required for Trim Kit assembly.
- For detailed Counter-Depth Side-by-Side Refrigerator installation, refer to model-specific product page and installation guide on web.
- Louvered Trim Kit (PN# 4480) can also be used with Electrolux ICON® Counter-Depth Side-by-Side Refrigerator models E23CS75DSS, E23CS78EPS, E23CS78ESS, E23CS78GPS and E23CS78GSS.

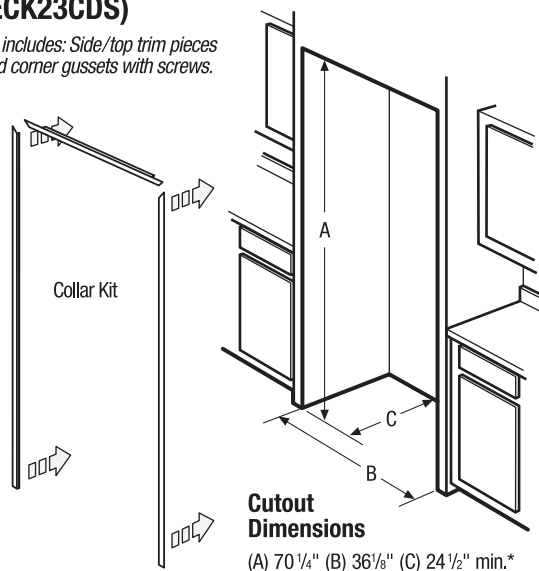
**Note:** For planning purposes only. Refer to Product Installation Guide on the web at [electroluxicon.com](http://electroluxicon.com) for detailed instructions.

## Electrolux Major Appliances, N.A.

USA • 10200 David Taylor Drive • Charlotte, NC 28262 • 1-877-4electrolux (1-877-435-3287) • [electroluxicon.com](http://electroluxicon.com)  
CANADA • 5855 Terry Fox Way • Mississauga, ON L5V 3E4 • 1-800-265-8352 • [electroluxicon.ca](http://electroluxicon.ca)

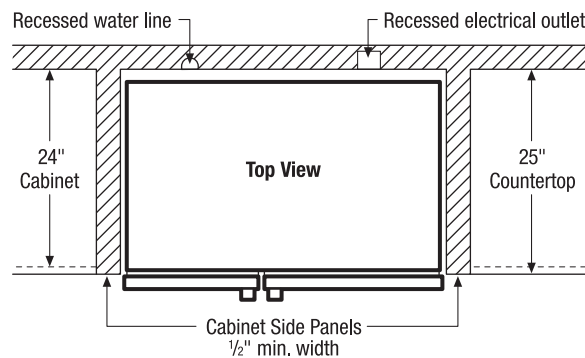
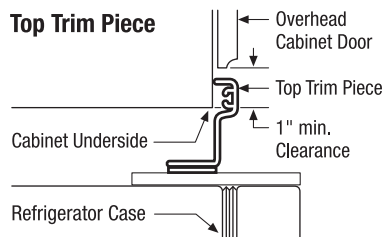
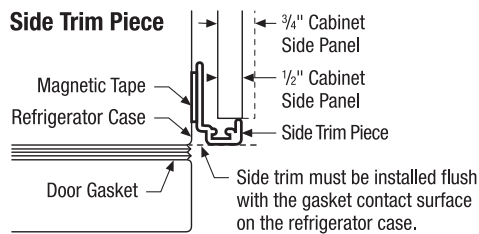
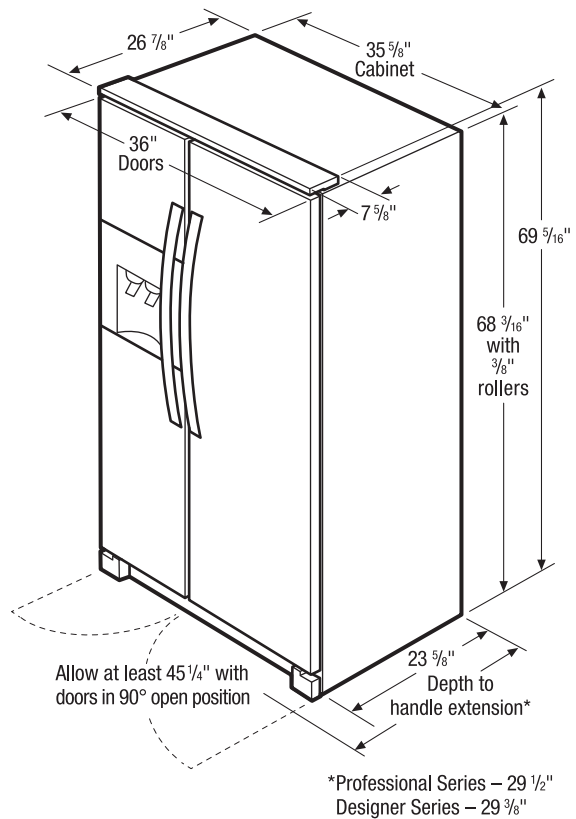
## Collar Kit (ECK23CDS)

Kit includes: Side/top trim pieces and corner gussets with screws.



\*Minimum depth from face of cabinet side panels and requires recessed electrical outlet and water line.

**Note:** Refer to detailed Collar Kit (ECK23CDS) Installation instructions included with kit or on web.



## Counter-Depth Side-by-Side Refrigerator Optional Collar Kit (ECK23CDS) Specifications

- To use Collar Kit (PN# ECK23CDS), an enclosure is required around Counter-Depth Side-by-Side Refrigerator having an opening of 70-1/4" H x 36-1/8" W with minimum cabinet side panels of 24-1/2" D x 1/2" W.
- Minimum 24-1/2" depth requires recessed electrical outlet and water line.
- Add maximum of 1/4" to 70-1/4" opening height when installed with frameless-style overhead cabinets, for door opening clearance.
- Cabinet or soffit above unit must extend out to same depth as side panels.
- To provide additional clearance for overhead cabinet doors when in open position, allow 1" from underside of cabinet to bottom of cabinet door.

- A minimum width of 36-1/8" is required for refrigerator installation with an additional 1/2" or 3/4" added for each side panel.
- If 1/2" side panels are used, then side trim piece and panel will be even. If 3/4" side panels are used, then 1/4" of side panel will extend beyond collar trim and must be finished.
- For detailed Counter-Depth Side-by-Side Refrigerator installation, refer to model-specific product page and installation guide on web.
- Collar Kit (PN# ECK23CDS) can also be used with Electrolux ICON® Counter-Depth Side-by-Side Refrigerator models E23CS75DSS, E23CS78EPS, E23CS78ESS, E23CS78GPS and E23CS78GSS.

**Note:** For planning purposes only. Refer to Product Installation Guide on the web at [electroluxicon.com](http://electroluxicon.com) for detailed instructions.

## Electrolux Major Appliances, N.A.

USA • 10200 David Taylor Drive • Charlotte, NC 28262 • 1-877-4electrolux (1-877-435-3287) • [electroluxicon.com](http://electroluxicon.com)  
CANADA • 5855 Terry Fox Way • Mississauga, ON L5V 3E4 • 1-800-265-8352 • [electroluxicon.ca](http://electroluxicon.ca)