

# Microwave Combination Oven

professional series

**E30MC75PPS**



## Signature Features



### Wave-Touch® Controls

Sleek control panel illuminates with just a touch — giving you more control over your cooking — and fades away to an uncluttered display after an option is selected.



### Smooth-Glide® Oven Racks

Ball bearing oven racks glide with unparalleled ease and extend fully for effortless access.



### CustomConvect<sup>3</sup>™ Convection Technology

Distributes heat evenly throughout the oven by adding a third cooking element plus a variable speed fan.



### Custom-Set™ Options with Temperature Probe

Seven cooking modes with eight cooking functions give you more cooking flexibility and control — and the temperature probe monitors the progress of your meat dishes.

## PRODUCT DIMENSIONS

Height	45-3/4"
Width	30"
Depth	24-5/8"

## MORE EASY-TO-USE FEATURES

### Cool-Touch™ Oven Door

Beautiful all-glass door allows you to see what's inside and is cool to the touch and easy to clean.

### Theatre Lighting

Features luxury ramp-up halogen lighting for a beautiful, visible interior.

### “My Favorite” Settings

A setting you can customize to meet your needs, so the option you want is available at the touch of a button.

### Perfect Turkey® Button

Ensures moist, delicious poultry. Imagine stress-free holiday cooking.

### Automatic Cooking Options

The microwave oven features 12 Auto Cook options, 3 Auto Reheat options and 6 Auto Defrost options for your cooking flexibility.

### Cook-2-Perfection® Technology

Evenly distributes microwave cooking energy throughout the oven's interior for even cooking. A 13" x 9" pan — with handles — can be evenly heated.

### Auto Sensor Cooking

12 Sensor Cook options automatically adjust the cooking time and power level needed to cook your food — so your food will turn out just the way you want it.

### Sabbath Mode (Star-K® Certified)

## 30" MICROWAVE COMBINATION OVEN

### MICROWAVE FEATURES

Oven Cavity	1.5 Cu. Ft.
Watts	900
Stainless Steel Interior	Yes
Interior Krypton Light	Yes
Ceramic 16" Turntable	Yes

### MICROWAVE CONTROL OPTIONS

Wave-Touch® Electronic Controls	Yes
Cook-2-Perfection® Technology	Yes
Electronic Clock & Timer	Yes
Humidity Sensor	Yes
Power Levels	11
Touch Pad Controls	37
Auto Start	Yes
Auto Defrost Options	6
Automatic Cooking Options –	
Pizza (1), Snacks (6), Soften/Melt (4), Beverage (1)	12
Convection Cook Categories –	
Auto Broil (4), Auto Roast (4), Auto Bake (4)	12
Auto Reheat Categories –	
Breads/Muffins (2), Pasta (1)	3
Auto Sensor Cooking –	
Cook (5), Reheat (1), Popcorn (2), Baked Potato (1), Frozen Vegetables (1), Fresh Vegetables (2)	12
Stage Cooking Options	4
Add 30 Seconds	Yes
Electronic Lockout	Yes
Adjustable Sound Level for Timers/Reminders	Yes
More/Less Function	Yes
Power Failure Indicator	Yes

### OVEN FEATURES

Oven Cavity	4.8 Cu. Ft.
Cobalt Blue Interior	Yes
Smooth-Glide® Racks/Standard Racks	2/1
CustomConvect3™ Convection System	Yes
Halogen Theatre Lighting	Yes
Removable Cool-Touch™ Oven Door with Extra-Large Window	Yes
"My Favorite" Settings	Yes
Convection Conversion	Yes
Custom-Set™ Options with Temperature Probe	Yes
Light Clean/Heavy Clean	Yes
Self-Cleaning with Auto-Safety Latch™	Yes
Self-Cleaning Cycle with Rack Removal Alert	
Fresh Clean	Yes
Perfect Turkey®	Yes
Dual Radiant™ Baking System	Yes
Eight-Pass Broil & Radiant Bake Element	Yes
Sabbath Mode (Star-K® Certified)	Yes

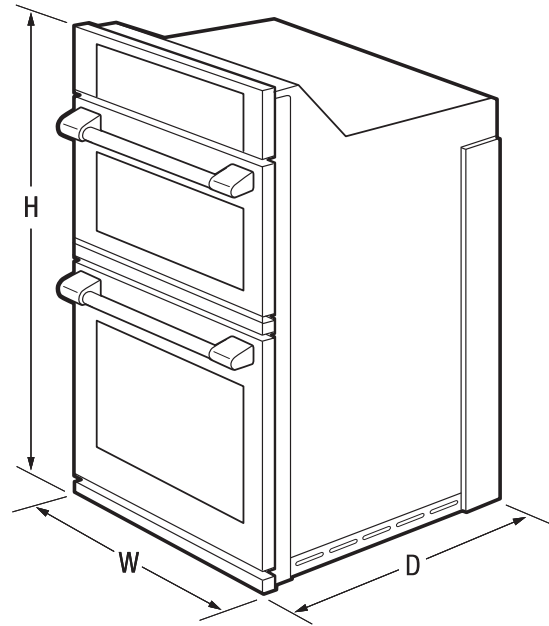
### OVEN CONTROLS

Wave-Touch™ Electronic Controls	Yes
Electronic Clock/Timer/Temperature Display	Yes
Automatic Oven – Delay, Cook & Off	Yes
Electronic Lockout	Yes
Automatic Oven Shutoff – 12 Hour	Yes
Integrated Halogen Oven Light – Touch Pad	Yes

### SPECIFICATIONS

Power Supply Connection Location	Left Bottom Rear
Connected Load (kW Rating) @ 240/208 Volts	8.5/6.4
Amps @ 240/208 Volts	36/31
Minimum Circuit Required (Amps)	40
Shipping Weight (Approx.)	334

NOTE: Always consult local and national electric codes. Refer to Product Installation Guide for detailed installation instructions on the web at [electroluxicon.com](http://electroluxicon.com). Specifications subject to change.



### PRODUCT DIMENSIONS

Height	45-3/4"
Width	30"
Depth	24-5/8"

### MICROWAVE OVEN CAVITY DIMENSIONS

Height	9-5/8"
Width	16-1/8"
Depth	16-1/8"

### OVEN CAVITY DIMENSIONS

Height	17-1/2"
Width	24-1/8"
Depth	19-1/2"

### CUTOUT DIMENSIONS

Height	43-7/8" – 44"
Width	28-1/2" – 29"
Depth (Min.)	24"

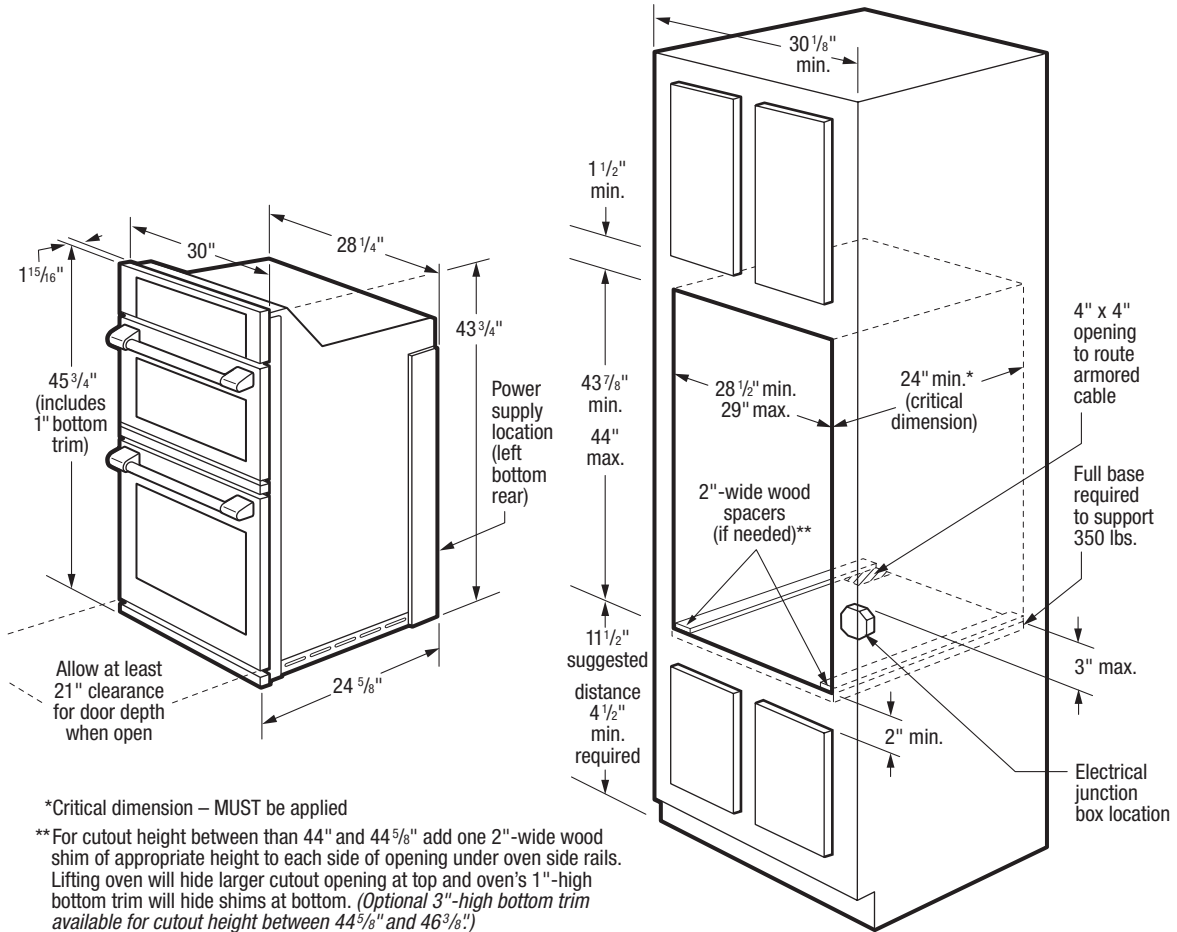
## Electrolux Major Appliances, N.A.

USA • 10200 David Taylor Drive • Charlotte, NC 28262 • 1-877-4electrolux (1-877-435-3287) • [electroluxicon.com](http://electroluxicon.com)  
 CANADA • 5855 Terry Fox Way • Mississauga, ON L5V 3E4 • 1-800-265-8352 • [electroluxicon.com](http://electroluxicon.com)



# Microwave Combination Oven

E30MC75PPS professional series



## 30" Microwave Combination Oven Specifications

- Product Weight – 286 Lbs.
- Single phase 3- or 4-wire cable, 120/240 or 120/208 Volt, 60 Hertz AC only electrical supply with ground required on separate circuit fused on both sides of line.
- Connected Load (kW Rating) @ 240/208 Volts = 8.5/6.4kW
- Amps @ 240/208 Volts = 36/31 Amps
- Recommended Circuit Breaker – 40 Amps
- Always consult local and national electric codes.
- Minimum 21" clearance for oven door depth when open.
- Suggested distance from floor is 11-1/2". Minimum required distance is 4-1/2".
- To adapt Microwave Combination Oven to fit cutout height between 44" and 44-5/8", add one 2"-wide wood shim of appropriate height to each side of opening under oven side rails. Lifting oven will hide larger cutout opening at top and oven's 1"-high bottom trim will hide shims at bottom. (Standard 1"-High Bottom Trim included.)

- To adapt Microwave Combination Oven to fit cutout height between 44-5/8" and 46-3/8", optional 3"-High Bottom Trim available.
- Minimum 24" deep cutout dimension is critical for proper installation, to ensure that oven's faceplate will fit flush against cabinet front.
- Full oven base of solid plywood or similar material required, capable of supporting 350 Lbs.
- Base must be level and cabinet front must be square.
- Microwave Combination Oven is NOT approved to be used in stackable or side-by-side installation.

**Note:** For planning purposes only. Refer to Product Installation Guide on the web at [electroluxicon.com](http://electroluxicon.com) for detailed instructions.

## Optional Accessories

- 3"-High Bottom Trim – (PN# 903114-9110).

## Electrolux Major Appliances, N.A.

USA • 10200 David Taylor Drive • Charlotte, NC 28262 • 1-877-4electrolux (1-877-435-3287) • [electroluxicon.com](http://electroluxicon.com)  
 CANADA • 5855 Terry Fox Way • Mississauga, ON L5V 3E4 • 1-800-265-8352 • [electroluxicon.ca](http://electroluxicon.ca)

E30MC75PPS 11/16

© 2016 Electrolux Home Products, Inc.



High standards of quality at Electrolux Home Products, Inc. mean we are constantly working to improve our products. We reserve the right to change specifications or discontinue models without notice.