

High-Speed Oven

E30SO75FPS professional series



High-Speed Oven

High-Speed Oven provides the utmost in versatility combining high-speed oven technology with the convenience of both a microwave oven and conventional oven to meet your cooking needs.



High-Speed Cooking Options

Versatile options including Speed Bake, Speed Roast and Speed Grill using high-speed oven technology for superior results.



Wave-Touch® Controls

Sleek control panel illuminates with just a touch and fades away after an option is selected.



Versatile Cooking Settings

With 84 basic cook settings, 100 preprogrammed and modifiable recipes and 17 microwave options, this high-speed oven is almost like having a personal chef.

30" HIGH-SPEED OVEN

Oven Cavity	1.1 Cu. Ft.
Watts (IEC-705 Test Procedure)	1000
Oven Interior	Stainless Steel
Interior Light	Yes
Porcelain Enamel Turntable Diameter	13"

CONTROL PANEL FEATURES

Electronic Clock & Timer	Yes
Glass Wave-Touch® Controls with Blue LED Display	Yes
Automatic Settings –	
Basic Cook	84
Recipes	100
Microwave Options	17
Speed Bake	Yes
Speed Roast	Yes
Speed Grill	Yes
Convection Cooking Options	10

POWER RATINGS

Microwave (kW/Amps)	1.7/7.5
Convection (kW/Amps)	3.1/13
Speed Cooking (kW/Amps)	3.2/13.5
Voltage Rating	240V/60Hz/15 or 20A
Connected Load (kW Rating) @ 240 Volts	3.3

ACCESSORIES

Cookbook	Included
High and Low Racks	Included
Pizza Pan	Included
Easy Reference Guide	Included

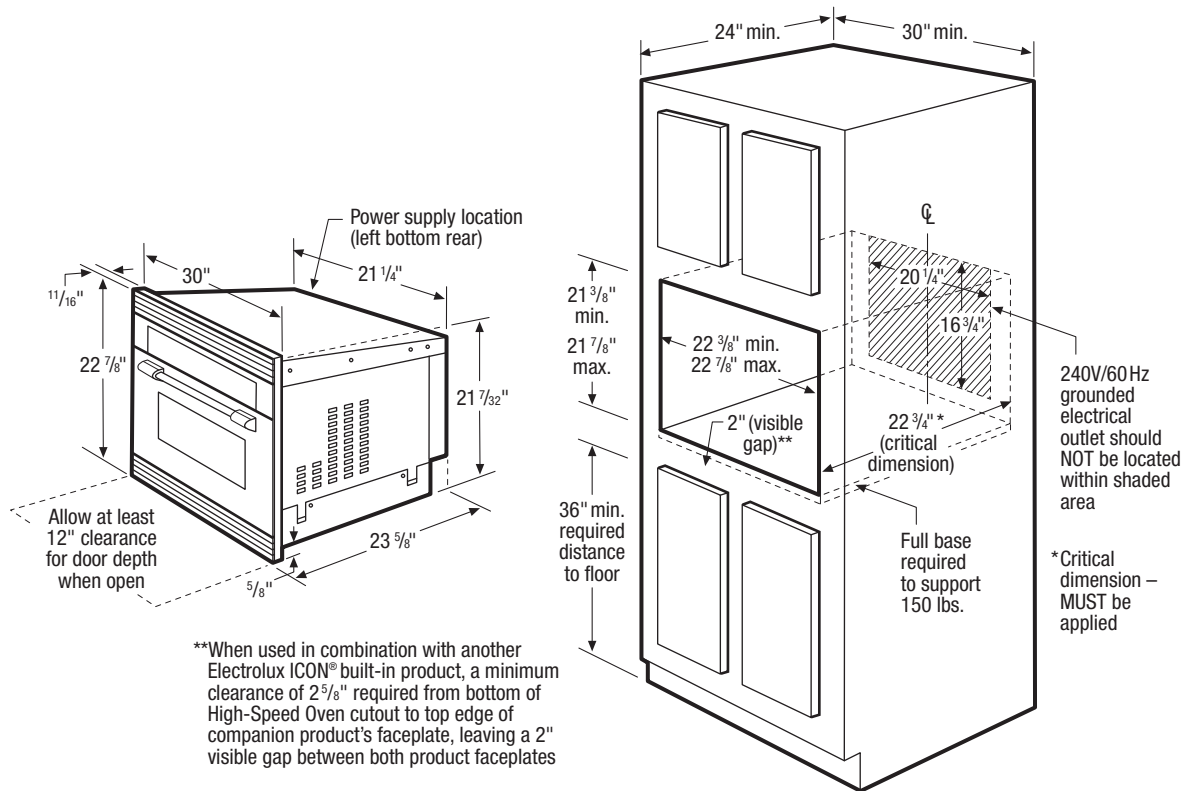
SPECIFICATIONS

Oven Cavity Dimensions –	
Height	9"
Width	16"
Depth	13-1/2"
Overall Exterior Dimensions –	
Height	22-7/8"
Width	30"
Depth	23-5/8"
Power Supply Location	Left Bottom Rear
Approved for Under-Counter Installation	No
Approved for Single Oven Combination Installation*	Yes
Shipping Weight (Approx.)	119 Lbs.

*Approved to be used in combination with any Electrolux ICON® Single Wall Oven and/or Warmer Drawer.

NOTE: Always consult local and national electric codes. Refer to Product Installation Guide for detailed installation instructions on the web at electroluxicon.ca.

Specifications subject to change.



30" High-Speed Oven Specifications

- Product Weight – 115 Lbs.
- Voltage Rating – 240V/ 60Hz/ 15 or 20 Amps
- Single phase 3- or 4-wire cable, 240 Volt, 60 Hertz AC only electrical supply with ground required on separate circuit fused on both sides of line.
- Connected Load (kW Rating) @ 240 Volts = 3.3kW
- Amps @ 240 Volts = 13.2 Amps
- Oven has a 6-15 plug, requiring a 6-15 receptacle.
- Always consult local and national electric codes.
- Allow at least 12" clearance for oven door depth when open.
- Minimum 22-3/4" deep cutout dimension is critical for proper installation, to ensure that oven's faceplate will fit flush against cabinet front.
- Full oven base of solid plywood or similar material required, capable of supporting 150 Lbs.

- Base must be level and cabinet front must be square.
- Grounded outlet should NOT be located in shaded area, as indicated.
- High-Speed Oven is NOT approved to be used under counter.
- High-Speed Oven can be built in alone or is approved to be used in combination with any Electrolux ICON® Single Wall Oven and/or Warmer Drawer. (Refer to model-specific Combination Installation Specification pages on web.)
- When used in combination with another Electrolux ICON® built-in product, a minimum clearance of 2-5/8" required from bottom of High-Speed Oven cutout to top edge of companion product's faceplate, leaving a 2" visible gap between both product faceplates.

Note: For planning purposes only. Refer to Product Installation Guide on the web at electroluxicon.ca for detailed instructions.