

# Wall-Mount Canopy Vent Hood

E368WV60ES



### Dual-Centrifugal Blower

Effectively removes the most persistent food and cooking odors.



### Halogen Lighting

Two halogen lights with dimmer controls provide bright illumination of the cooktop surface.



### Stainless Steel Filters

Dishwasher-safe for easy cleaning.



### Infinite-Speed Blower Control

Ultra-quiet blower gives you precise control over airflow.

## 18" WALL-MOUNT CANOPY VENT HOOD

### FEATURES

Nominal Width	36"
Installation Type	Wall Mount
Air Discharge	Vertical or Horizontal
Air Delivery (CFM)	600
Blower Type	Centrifugal
Controls	Dial
Infinite-Speed Blower	Yes
Dual Halogen Lights	Yes
Dishwasher-Safe Stainless Steel Filters	Yes
Exhaust Duct	External
Duct Required	8" Round or 3-1/4" X 10"

### ACCESSORIES

18"-High Vent Duct Cover – PN# ACCVC18-36	Optional
12"-High Vent Duct Cover – PN# ACCVC12-36	Optional
6"-High Vent Duct Cover – PN# ACCVC06-36	Optional

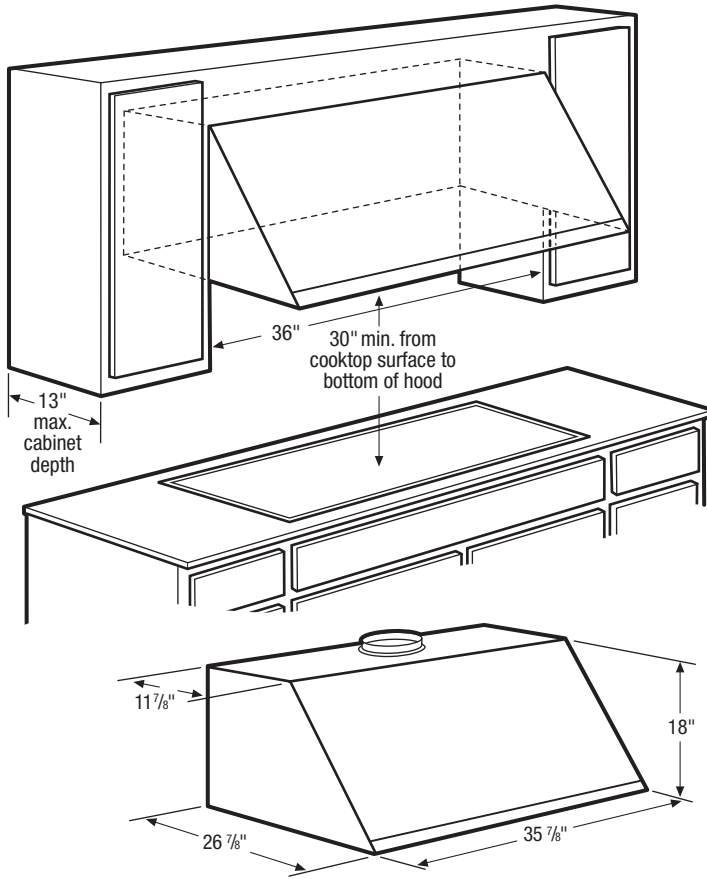
### SPECIFICATIONS

Product Dimensions –	
Height	18"
Width	35-7/8"
Depth	26-7/8"
Power Supply Location	Right Rear Top
Voltage Rating	120V/60Hz/15 or 20A
Connected Load (kW Rating) @ 120 Volts <sup>†</sup>	1.4
Amps @ 120 Volts	12
Shipping Weight (Approx.)	67 Lbs.

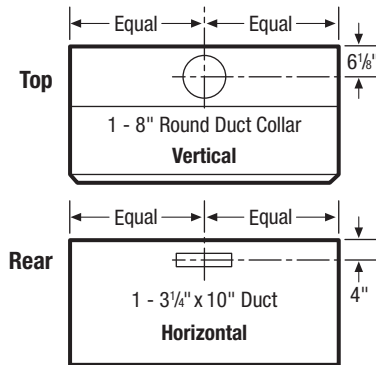
<sup>†</sup>For use on adequately wired 120V, dedicated circuit having 2-wire service with a separate ground wire. Appliance must be grounded for safe operation.

NOTE: Always consult local and national electric codes. Check local building codes for installation requirements, as they may vary per locale. Refer to Product Installation Guide for detailed installation instructions on the web at [electroluxicon.ca](http://electroluxicon.ca).

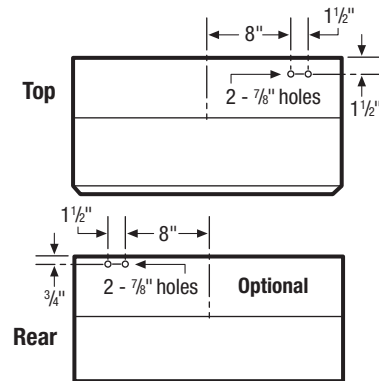
Specifications subject to change.



## Vertical & Horizontal Exhaust Duct Location



## Electrical Locations



### 18" Wall-Mount 36" Canopy Vent Hood Specifications

- Product Weight – 64 Lbs.
- Wall-Mount Installation – can be ducted vertically or horizontally.
- Voltage Rating – 120V/ 60Hz/ 15 or 20 Amps
- Connected Load (kW Rating) @ 120 Volts = 1.4kW (For use on adequately wired 120V, dedicated circuit having 2-wire service with a separate ground wire. Appliance must be grounded for safe operation.)
- Amps @ 120 Volts = 12 Amps
- Always consult local and national electric codes. Check local building codes for installation requirements, as they may vary per locale.
- Vent unit outside of building only.
- Vertical Exhaust Duct Required – 8" round
- Horizontal Exhaust Duct Required – 3-1/4" x 10"
- Thermal breaks such as short section of nonmetallic duct, should be used in areas of extreme cold.

- For most efficient airflow exhaust, use a straight run or as few elbows as possible.
- Use metallic flex ducting only to connect rigid duct directly to transitions (if allowed by code).
- Cold weather installations should have additional backdraft damper installed.
- For most efficient operation, position hood low to cooktop. Recommended installation is 30" - 36" above countertop.

**Note: For planning purposes only. Refer to Product Installation Guide on the web at [electroluxicon.ca](http://electroluxicon.ca) for detailed instructions.**

### Optional Accessories

- 18"-High Vent Duct Cover – (PN# ACCVC18-36).
- 12"-High Vent Duct Cover – (PN# ACCVC12-36).
- 6"-High Vent Duct Cover – (PN# ACCVC06-36).