

# Gas Drop-In, Deep-Sump Cooktop

E36GC70FSS



### Continuous Grates

Designed for cooking multiple dishes at varying temperatures on a single cooktop, continuous grates allow you to move even the heaviest pots and pans from burner to burner with the utmost ease.



### Professional-Style Controls

Large 270 degree knobs give you precise control while cooking, so you get the results you want.



### Flexible Burner Configuration

This cooktop offers a wide range of burner sizes giving you more flexibility so you can create a multi-course meal at once.



### Versatile Cooking Accessories

Interchangeable accessories include a griddle plate, a special wok ring and simmer plate—so you can customize the cooktop to fit your cooking needs.

### 36" GAS DROP-IN, DEEP-SUMP COOKTOP

Configuration	5 Sealed Burners
---------------	------------------

#### FEATURES

Deep-Sump Formed Stainless Steel Platform	Yes
Professional-Style Controls	5
Sealed Power Burner™ (BTU)	1 (17,000)
Sealed Power Burner™ (BTU)	1 (16,000)
Sealed Burner (BTU)	2 (9,500)
Sealed Precision Burner™ (BTU)	1 (5,000 – 750)
Linear Flow Burner Valves	Yes
Electronic Ignition	Yes
Continuous Grates	3
A.D.A. Compliant*	Yes

#### ACCESSORIES

Granite Countertop Installation Kit – PN# 903103-9010	Optional
Grill/Griddle – PN# 318251603	Optional
Wok Ring – PN# 318254301	Optional
Simmer Plate – PN# 318254200	Optional
Black Burner Knob Kit – PN# 318242223	Optional

#### SPECIFICATIONS

Overall Exterior Dimensions –	
Width	36"
Depth	21-3/4"
Height	4-1/4"
Gas Inlet/Power Supply Location	Right Rear
LP Gas Conversion Kit	Included
Voltage Rating	120V/1.2W/60Hz/15A
Connected Load (kW Rating) @ 120 Volts†	0.001
Electrical Cable	Included
Approved for Single Oven Combination Installation**	Yes
Approved for Downdraft Vent Combination Installation**	Yes
Shipping Weight (Approx.)	58 Lbs.

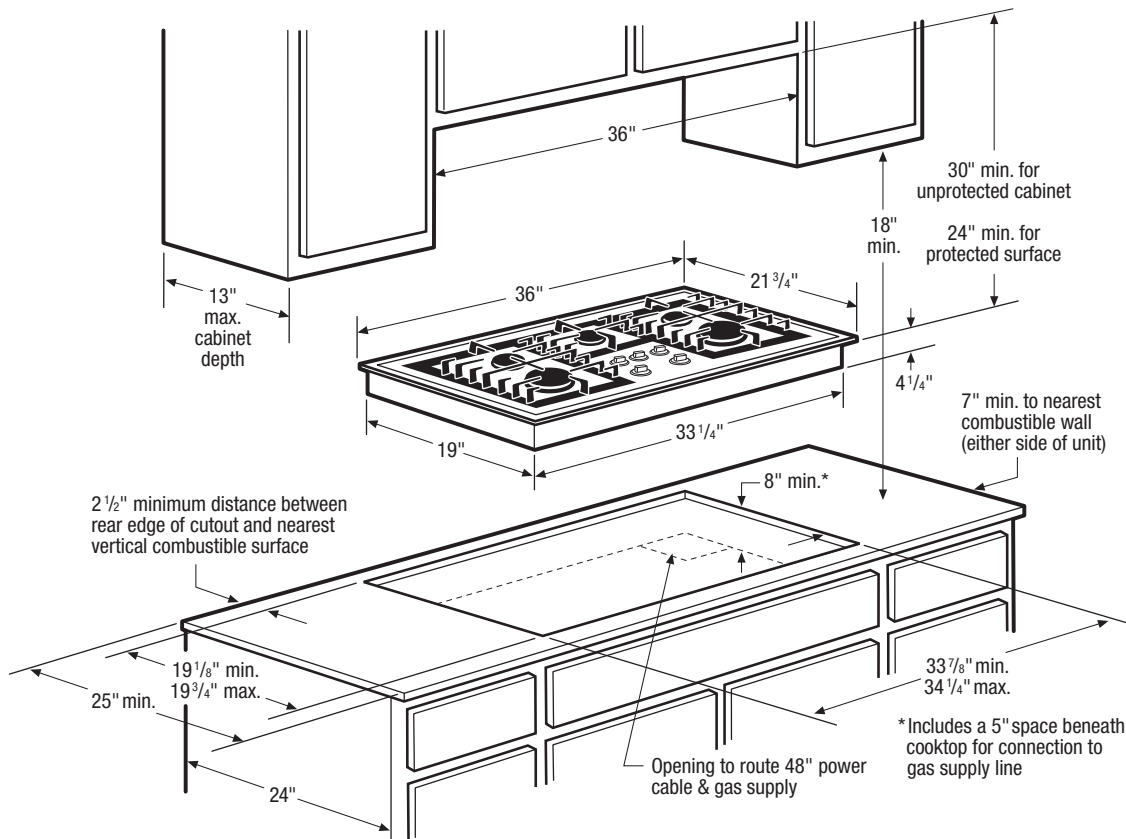
\*When properly installed, meets the appliance standards in the Americans with Disabilities Act and the Architectural Barriers Act Accessibility Guidelines as published by the United States Access Board on June 23, 2004, as amended August 5, 2005.

†For use on adequately wired 120V, dedicated circuit having 2-wire service with a separate ground wire. Appliance must be grounded for safe operation.

\*\*Approved to be used over any Electrolux ICON® Single Wall Oven and in combination with an Electrolux ICON® Downdraft Vent.

NOTE: Always consult local and national electric and gas codes. Refer to Product Installation Guide for detailed installation instructions on the web at [electroluxicon.com](http://electroluxicon.com).

Specifications subject to change.



### 36" Gas Drop-In, Deep-Sump Cooktop Specifications

- Product Weight – 53 Lbs.
- Voltage Rating – 120V/60Hz/15 Amps
- Connected Load (kW Rating) @ 120 Volts = 0.001kW  
(For use on adequately wired 120V, dedicated circuit having 2-wire service with a separate ground wire. Appliance must be grounded for safe operation.)
- Amps @ 120 Volts = 0.008 Amps
- Always consult local and national electric and gas codes.
- Recommended location for grounded 120V outlet is on rear wall in an 8" wide by 10" high area, positioned 22" above floor surface and 12" to right side of cooktop centerline. Access to underside of cooktop and junction box must be provided for inspection and service.
- Cooktop ships with 3/4" factory regulator.
- LP Gas conversion kit supplied.
- Overhead cabinetry should not exceed a 13" maximum depth.
- Allow 30" minimum clearance between top of cooktop and bottom of unprotected wood or metal overhead cabinetry.
- Absolute minimum horizontal distance between overhead cabinets installed to either side of appliance must be no less than maximum width of appliance.
- Allow 24" minimum clearance when bottom of wood or metal overhead cabinet is protected by not less than 1/8" flame-retardant millboard covered with not less than No. 28 MGS sheet steel, 0.015" stainless steel, 0.024" aluminum or 0.020" copper.

- Allow 2-1/2" minimum distance between rear edge of cutout to nearest combustible surface above countertop.
- Allow 7" minimum clearance from edge of cooktop to nearest combustible wall on either side of unit.
- Drawers cannot be installed beneath this cooktop.
- To reduce risk of fire when using overhead cabinetry, install vent hood that projects horizontally a recommended minimum of 5" beyond bottom of cabinets.
- Gas Drop-In, Deep-Sump Cooktop model E36GC70FSS is approved to be used over any Electrolux ICON® Single Wall Oven. (Refer to Gas Cooktop Installation Over 30" Electric Single Wall Oven Specifications page on web.)
- Gas Drop-In, Deep-Sump Cooktop model E36GC70FSS is approved to be used in combination with an Electrolux ICON® 36" Downdraft Vent. (Refer to Drop-In Cooktop/Downdraft Vent Countertop Preparation page on web for detailed installation specifications.)

**Note: For planning purposes only. Refer to Product Installation Guide on the web at [electroluxicon.com](http://electroluxicon.com) for detailed instructions.**

### Optional Accessories

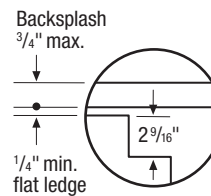
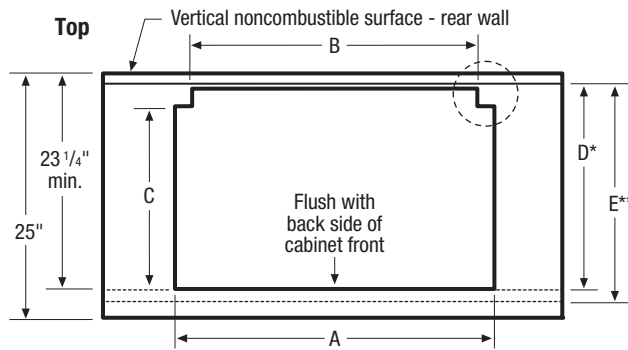
- Granite Countertop Installation Kit – (PN # 903103-9010).
- Grill/Griddle – (PN # 318251603).
- Simmer Plate – (PN # 318254200).
- Wok Ring – (PN # 318254301).
- Black Burner Knob Kit – (PN # 318242223).

## Electrolux Major Appliances, N.A.

USA • 10200 David Taylor Drive • Charlotte, NC 28262 • 1-877-4electrolux (1-877-435-3287) • [electroluxicon.com](http://electroluxicon.com)  
CANADA • 5855 Terry Fox Way • Mississauga, ON L5V 3E4 • 1-800-265-8352 • [electroluxicon.ca](http://electroluxicon.ca)



## Countertop Preparation for 30" & 36" Drop-In Cooktop/Downdraft Vent Installation



For detailed cooktop and downdraft vent installation specifications, refer to model-specific product page and installation guide on web

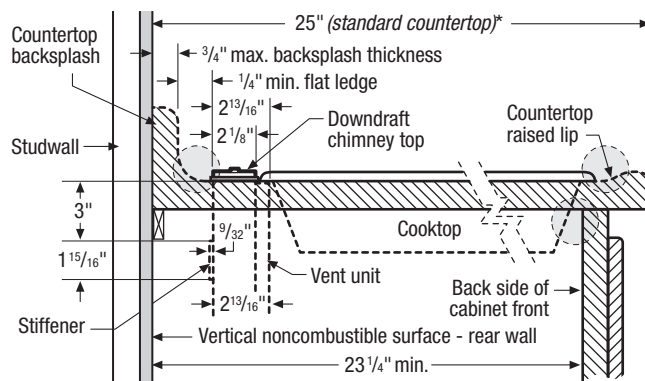
\* Overall flat ledge behind backside of cabinet front  
\*\* Minimum flat surface required to fit top surface of cooktop and downdraft vent cap

**E30DD75ESS/30" Cooktop Cutout Dimensions**

30" Cooktops	A	B	C	D	E
E30EC65ESS	30"	27 3/4"	20 3/8"	23 3/16"	24 3/16"
E30EC70FSS	30"	27 3/4"	20 1/4"	23 1/16"	24 1/16"
E30GC64ESS	27 1/2"	27 3/4"	19 7/8"	22 11/16"	23 11/16"
E30GC70FSS	28 1/2"	27 3/4"	19 3/4"	22 9/16"	23 9/16"
E30IC80ISS	29 3/4"	27 3/4"	20 1/2"	23 3/16"	24 5/16"

**E36DD75ESS/36" Cooktop Cutout Dimensions**

36" Cooktops	A	B	C	D	E
E36EC65ESS	36"	33 3/4"	20 3/8"	23 3/16"	24 3/16"
E36EC70FSS	36"	33 3/4"	20 1/2"	23 5/16"	24 5/16"
E36GC65ESS	33 3/4"	33 3/4"	19 7/8"	22 11/16"	23 11/16"
E36GC70FSS	34 1/2"	33 3/4"	19 3/4"	22 9/16"	23 9/16"
E36IC80ISS	36"	33 3/4"	20 1/2"	23 3/16"	24 5/16"



### Cooktop Installation Note:

To ensure proper installation, refer to model-specific installation guide on web for cooktop dimensions, cutout dimensions and cabinet requirements. Due to varying cooktop depths, tight fit is possible between cooktop and vent.

### Countertop Preparation Note:

Be aware of areas of potential interference called out in illustration. Countertop with raised lip and/or backsplash may not allow enough flat area for proper installation, 2-13/16" of flat countertop required behind cooktop. No gap required between back of cooktop and front of downdraft trim piece.

\*Standard 25" countertop depth may NOT be adequate for some cooktop/vent installations, especially with backsplash.

### Drop-In Cooktop/Downdraft Vent Countertop Preparation Specifications

- For detailed Drop-In Cooktop installation, refer to model-specific product page and installation guide on web. Plan installation so that all required minimum clearances between cooktop, overhead cabinets and adjacent vertical walls are provided.
- Position cooktop/vent cutout so all required minimum clearances are met.
- Minimum flat countertop area must meet or exceed combined overall width and depth as shown. Standard 25" countertop depth may NOT be adequate for some cooktop/vent installations, especially with backsplash.
- Separate circuits required for cooktop and vent. (Refer to product-specific electrical specifications.)
- Always consult local and national electric and gas codes. Check local building codes for installation requirements, as they may vary per locale.

### Downdraft Vent Specifications

- For detailed Downdraft Vent installations, refer to model-specific product page and installation guide on web.
- Voltage Rating – 120V/ 60Hz/ 15 Amps
- Connected Load (kW Rating) @ 120 Volts = 1.0kW (For use on adequately wired 120V, dedicated circuit having 2-wire service with a separate ground wire. Appliance must be grounded for safe operation.)

- Amps @ 120 Volts = 8.0 Amps
- Vent unit outside of building only.
- Vent must be installed in vertical orientation only.
- 1,600 CFM remote exhaust blower (PN# 5304444802) included with vent – shipped in separate box.
- Do not use flexible duct. Round duct instead of rectangular duct recommended, especially when elbows are required.
- When multiple elbows are necessary, ensure a minimum of 24" of straight duct between any two elbows.
- Thermal breaks such as short section of nonmetallic duct, should be used in areas of extreme cold.
- For most efficient airflow exhaust, use a straight run or as few elbows as possible.
- Cold weather installations should have additional backdraft damper installed.
- Installing a Downdraft Vent in combination with any gas cooking surface will affect optimum burner efficiency.

**Note: For planning purposes only. Refer to Product Installation Guide on the web at [electroluxicon.com](http://electroluxicon.com) for detailed instructions.**

## Electrolux Major Appliances, N.A.

USA • 10200 David Taylor Drive • Charlotte, NC 28262 • 1-877-4electrolux (1-877-435-3287) • [electroluxicon.com](http://electroluxicon.com)  
CANADA • 5855 Terry Fox Way • Mississauga, ON L5V 3E4 • 1-800-265-8352 • [electroluxicon.ca](http://electroluxicon.ca)

High standards of quality at Electrolux Home Products, Inc. mean we are constantly working to improve our products. We reserve the right to change specifications or discontinue models without notice.