

Built-In Refrigerator

E42BS75ETT panel ready



Panel-Ready Built-In Refrigerator

Customize the exterior with panels that coordinate with your kitchen design.



PureAdvantage® Filtration System

The most advanced water filtration system available offers cleaner, fresher ice and water.



Custom-Set™ Digital Temperature Control System

Provides you with the utmost temperature control—ensuring food stays fresher at your desired temperature.



Theatre Lighting

Transition LED lighting gradually illuminates the interior with soft but ample light as you open the door.

42" BUILT-IN PANEL-READY REFRIGERATOR*

CAPACITIES

Total Capacity	25.2 Cu. Ft.
Fresh Food Volume	15.6 Cu. Ft.
Freezer Volume	9.6 Cu. Ft.

EXTERIOR

Ice/Water Dispenser –	
Custom-Set™ Digital Temperature Control System	Yes
Night Light	Yes
Temperature Display	Yes
Crushed/Cubes/Water	Yes
Express Ice®	Yes
Lock	Yes
Filter Reset	Yes
Interior Easy Access Door	Yes

FRESH FOOD CONVENIENCES

Filtration System	PureAdvantage®
Filter Location	Front
Door-Ajar Alarm	Yes
SpillSafe® Glass Shelves	3
Smooth-Glide® Crisper Drawers	3
Humidity Controls	2
1-Gallon Fixed Door Bin	1
2-Liter Adjustable Door Bin	3
Dairy Compartment with Clear Door	1
Door Bin Snugglers	3
Theatre Lighting	Yes

FREEZER CONVENIENCES

Automatic Ice Maker with Ice Server	Factory Installed
Smooth-Glide® Baskets	2
Fixed Door Bin	3
Dual-Level Lighting	Yes

INSTALLATION

Adjustable Rollers	Yes
Door Stops	Yes

ACCESSORIES

Water Filter Replacement Cartridge – PN# EWF2CBPA	Optional
---	----------

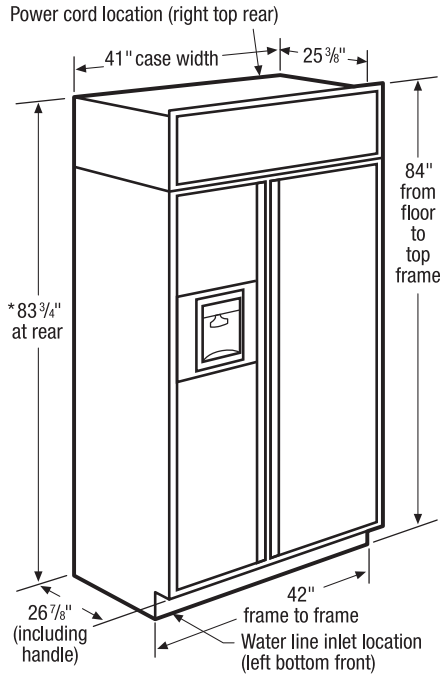
SPECIFICATIONS

Overall Exterior Dimensions –	
Height	84"
Width	42"
Depth (Including Handle) (with 90° Door Open)	26-7/8" 47-7/8"
Power Cord Location	Right Top Rear
Water Line Inlet Location	Left Bottom Front
Voltage Rating	120V/60Hz/15 or 20A
Connected Load (kW Rating) @ 120 Volts†	0.65
Shipping Weight (Approx.)	610 Lbs.

* Refrigerator handles for E42BS75ETT are part number 241650502—shipped in separate box.
† For use on adequately wired 120V, dedicated circuit having 2-wire service with a separate ground wire. Appliance must be grounded for safe operation.

NOTE: Always consult local and national electric and plumbing codes. Refer to Product Installation Guide for detailed installation instructions on the web at electroluxicon.com.

Specifications subject to change.

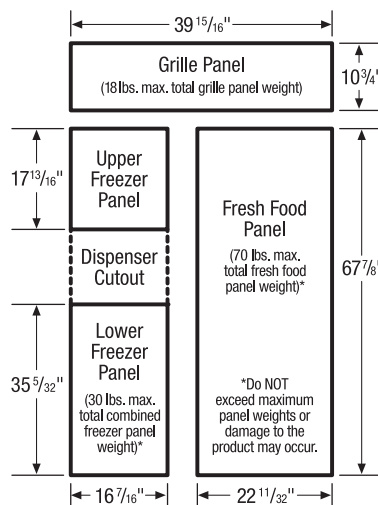


*Shipping height. (Front height may be adjusted from 83-1/2" to 84-1/2" by adjusting leveling legs a max. of 1".)

Custom Panel Installation

This refrigerator is designed to accept custom panels to match your kitchen decor. The following panel design options can be field-installed on this model:

1/4" Custom Framed Panel Dimensions



1/4" Custom Framed Panels

To be fabricated by a local shop or custom cabinet supplier to dimensions and specifications shown. Panels will slide into frame on doors and grille.*

3/4" Custom Framed or Full-Width Overlay Panels

To be fabricated by a local shop or custom cabinet supplier. For detailed dimensions and specifications on this installation procedure refer to Product Installation Guide on web at electroluxicon.com.

Two ice/water dispenser trims are supplied with this model, one to be used with 0.250" thick framed panels and one to be used with 1.100" thick overlay panels.

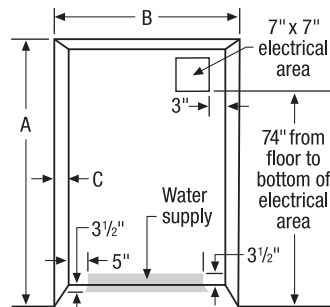
*For installation of custom panels less than 1/4" thick, filler material or foam tape can be used to improve fit.

Cutout Dimensions

(A) Finished opening:
83 1/2" min.
84 1/2" max.

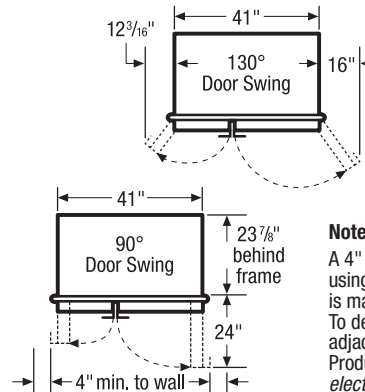
(B) 41 1/2"

(C) 24"



Door-Swing Clearances

Refrigerator equipped with 2-position door stop. Factory set to 130° adjustable to 90° if clearance to adjacent cabinets or wall is restricted.



Notes:

A 4" min. door clearance is required when using 90° door stop position. Drawer access is maintained, but removal is restricted. To determine door swing interaction with adjacent cabinets and countertops refer to Product Installation Guide on web at electroluxicon.com.

42" Built-In Panel-Ready Refrigerator Specifications

- Product Weight – 600 Lbs.
- Voltage Rating – 120V/ 60Hz/ 15 or 20 Amps
- Connected Load (kW Rating) @ 120 Volts = 0.65kW (For use on adequately wired 120V, dedicated circuit having 2-wire service with a separate ground wire. Appliance must be grounded for safe operation.)
- Amps @ 120 Volts = 5.4 Amps
- Always consult local and national electric & plumbing codes.
- Cutout must be prepared with electrical and water supply located as shown. When possible, recess copper water line and electrical outlet.
- Water line can enter opening through floor or rear wall. Copper tubing recommended between cold water line and water connection location. Water line tubing recommended is 48" minimum length by 1/4" diameter. Installation of easily accessible shutoff valve in water line required.
- Optimum door swing factory set for 130°. When installing next to wall where handle may make contact, allow 4" minimum clearance for 90° door swing. At 90° door stop position, drawer access will be maintained but removal will be restricted.

- Refrigerator must be placed on level surface of hard material, same height as flooring. Surface must support approximately 1500 Lbs. when fully loaded. Unit equipped with 4-point leveling.
- Door handles designed to accommodate both framed or custom panels. For 3/4" custom panel installation, refer to Product Installation Guide on web for optimum handle clearance. Refrigerator handles for E42BS75ETT are part number 241650502 – shipped in separate box.

Custom Panel Specifications

- For detailed information on 1/4" framed or custom panel installation, refer to instructions stated above. For 3/4" custom panels, refer to Product Installation Guide on web.
- When using custom panels, refer to Product Installation Guide on web to determine door swing interaction with adjacent cabinets and countertops.

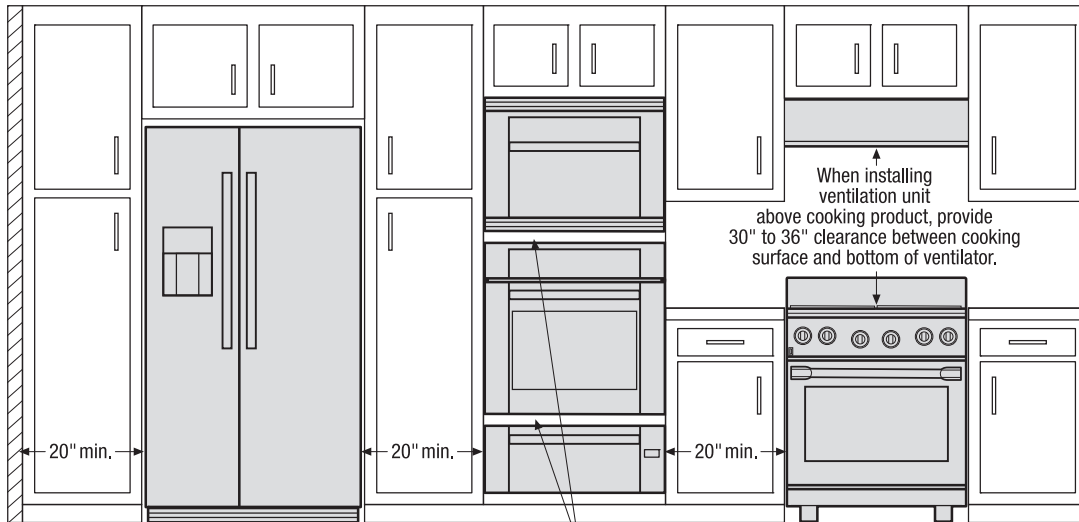
Note: For planning purposes only. Refer to Product Installation Guide on the web at electroluxicon.com for detailed instructions.

Optional Accessories

- PureAdvantage® Water Filter Replacement Cartridge – (PN# EWF2CBPA).

Use these dimensions and clearance instructions for planning purposes only. For detailed installation instructions, refer to installation guide, packed with product, or on the web at electroluxicon.com.

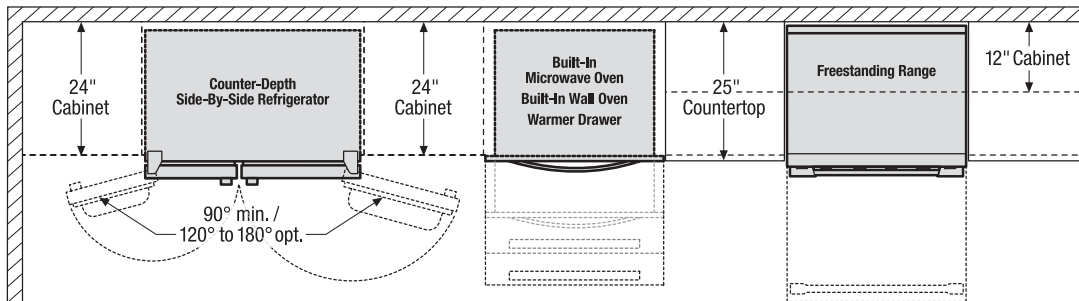
Front



When installing appliances adjacent to each other, 20" minimum distance between each appliance required.

When installing built-in cooking appliances in combination, 2" minimum visible gap between appliance faceplates required.

Top

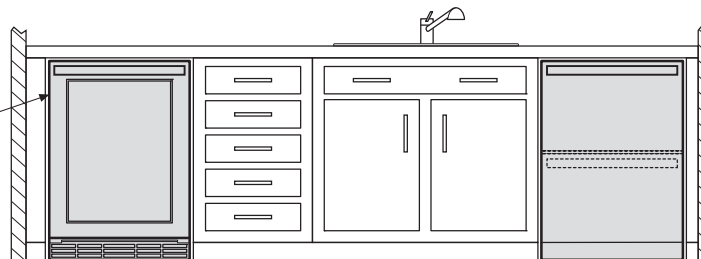


When installing refrigerator adjacent to wall, cabinet or another appliance that extends beyond front edge of unit, 20" minimum clearance recommended to allow for optimum 120° to 180° door swing, providing complete drawer/crisper access and removal.

When installing appliance with sliding drawer or drop-down door directly across from obstructions, provide sufficient clearance for drawer extension or door swing.

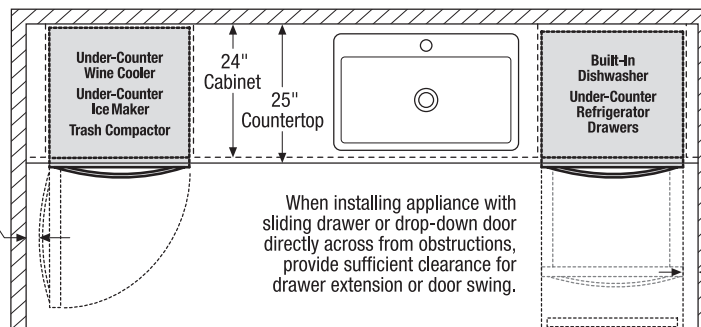
Front

To ensure optimum performance, avoid installing refrigeration appliances in direct sunlight or near heat source.



Top

When installing appliance with side-swing door adjacent to wall, cabinet, or other obstruction that extends beyond front edge of appliance, door swing and handle clearance must be sufficient to allow access to appliance interior.



When installing appliance with sliding drawer or drop-down door directly across from obstructions, provide sufficient clearance for drawer extension or door swing.

When installing appliance with sliding drawer or drop-down door adjacent to wall, cabinet, or other obstruction that extends beyond front edge of appliance, allow 2" minimum clearance between drawer or door and obstruction.

Electrolux Major Appliances, N.A.

USA • 10200 David Taylor Drive • Charlotte, NC 28262 • 1-877-4electrolux (1-877-435-3287) • electroluxicon.com
 CANADA • 5855 Terry Fox Way • Mississauga, ON L5V 3E4 • 1-800-265-8352 • electroluxicon.ca

High standards of quality at Electrolux Home Products, Inc. mean we are constantly working to improve our products. We reserve the right to change specifications or discontinue models without notice.