

# Built-In Dishwasher

EDW7505HSS designer series



Shown with custom door panel and handle installed (not included).



### Luxury-Quiet™ Dishwasher

Cleans dishes so quietly, you'll never notice it's on.



### Smooth-Glide® Racks

Racks smoothly extend with the touch of a finger for effortless access.



### Integrated Wave-Touch® Controls

Our control panel is thoughtfully located at the top of the door, leaving you with a clean look that fits any style.



### Luxury-Clean™ Technology

Our advanced cleaning technology automatically adjusts the cycle based on your cleaning needs.

## BUILT-IN DISHWASHER

### FEATURES

Stainless Steel Interior	Yes
Luxury-Hold™ Door	Yes
Custom-Set™ Options	Yes
Integrated Wave-Touch® Controls	Yes
Theatre Lighting	Yes
Easy-Clean Pushbuttons	9
LED Indicator Lights	Yes
Tall-Tub Design	Yes
Luxury-Clean™ Technology	Yes
Luxury-Quiet™ Sound Package	Yes
Wash Levels	5
Aqua-Lux™ Wash System	Yes
Luxury-Dry™ System	Yes
Leak-Detection System	Yes
Adjustable Rinse Aid Dispenser with Indicator	Yes
Panel Ready*	Yes
ENERGY STAR®	Yes

### CYCLES

Auto Wash	Yes
Normal	Yes
Eco Wash	Yes
Perfect Stemware™	Yes
Cookware	Yes

### OPTIONS

Air Dry	Yes
NSF® Certified Sanitize Option	Yes
Delay Start	1-24 Hours

### RACK SYSTEM

Custom-Fit™ Rack System	Yes
Upper Rack –	Smooth-Glide®
Adjustable Height	Yes
Cup Clips	4
Cup Shelf/Stemware Holder	2
Fold-Down Tines	4 Rows
Rack Handle	Yes
Versa-Tray™	Yes
Lower Rack –	Smooth-Glide®
Fold-Down Tines	6 Rows
Knife Holder	Yes
Utility Tray/Shelf	Yes
Stemware/Champagne Glass Holders	4
Silverware Basket	4-Piece Split
Special Items Cover/Mesh Small Items Bag	Yes

### SPECIFICATIONS

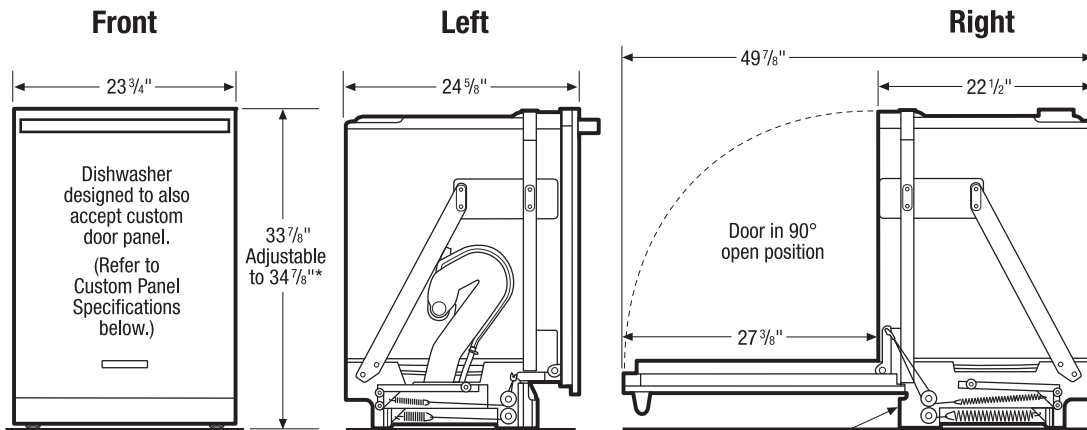
Product Dimensions –	
Height (Adjustable)	33-7/8" – 34-7/8"
Width	23-3/4"
Depth (Including Door)	24-5/8"
(with 90° Door Open)	49-7/8"
Power Supply	Right Bottom Front
Water Inlet Location	Left Bottom Front
Leveling Legs	Yes
Water Usage (Gallons) – Normal Cycle	4.9 – 8.5
Water Pressure (PSI)	15 – 120
Integral Air Gap on Supply	Yes
Voltage Rating	120V/60Hz/15A
Connected Load (kW Rating) @ 120 Volts‡	1.44
Amps @ 120 Volts	9.0
Shipping Weight (Approx.)	115 Lbs.

\* Dishwasher designed to also accept custom door panel to match with custom cabinetry. (Refer to Custom Panel Specifications.)

‡ For use on adequately wired 120V, dedicated circuit having 2-wire service with a separate ground wire. Appliance must be grounded for safe operation.

NOTE: Always consult local and national electric and plumbing codes. Refer to Product Installation Guide for detailed installation instructions on the web at [electroluxicon.com](http://electroluxicon.com).

Specifications subject to change.

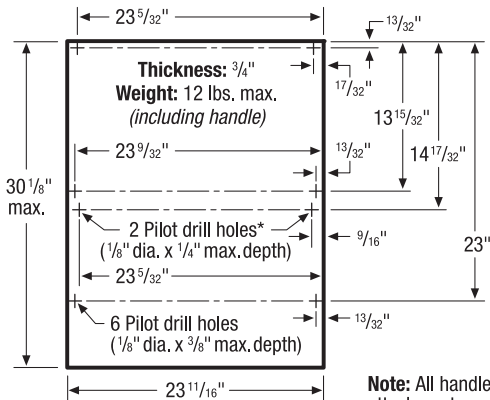


\*Height only adjustable to 34 11/16" max. when installed in 35" max. standard cabinetry cutout

Water inlet location (left bottom front)  
Power supply location (right bottom front)

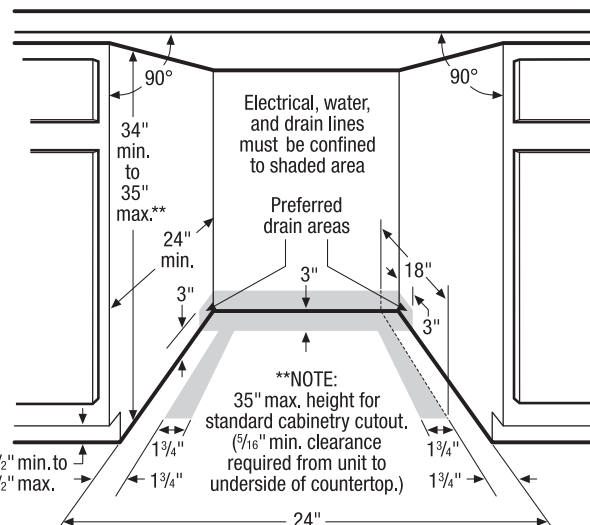
### Custom Panel Specifications

Refer to web for detailed door panel construction and installation instructions.



\*Optional holes for adding 1/2" - #7 screws which slip into rectangular openings of metal panel to help locate custom door panel for other outside screw attachment

**Note:** All handle attachment screws must be flush/recessed below panel surface.



**\*\*NOTE:**  
35" max. height for standard cabinetry cutout. (5/16" min. clearance required from unit to underside of countertop.)

### Built-In Dishwasher Specifications

- Product Weight – 93 Lbs.
- Voltage Rating @ 120V/60 Hz/15 Amps
- Connected Load (kW Rating) @ 120 Volts = 1.44kW (For use on adequately wired 120V, dedicated circuit having 2-wire service with a separate ground wire. Appliance must be grounded for safe operation.)
- Amps @ 120V = 9 Amps
- Always consult local and national electric & plumbing codes. Meets requirements of ASSE 1006.
- Water Pressure – Hot water line to dishwasher must provide between 15 and 120 pounds per square inch (psi).
- Make sure location has right drain, water and electrical outlets to make connections.
- Keep back free of drain, water & electrical supply.
- Electrical and water supplies should enter cabinet opening on floor, or through back or side walls, as shown in shaded areas.
- Connections preferably located toward left side of dishwasher. Do not cross drain, water or electrical lines in front of motor, blower or frame.
- Minimum clearance of 5/16" required from unit to underside of countertop.

- Leveling legs supplied to adjust height. (Note: Height only adjustable to 34-11/16" max. when installed in 35" max. standard cabinetry cutout to allow for 5/16" min. clearance.)
- When installing adjacent to wall, cabinet or other obstruction that extends beyond front edge of unit, allow 2" minimum clearance between opened door and obstruction.
- When installing at end of cabinet line, sides must be fully enclosed.
- Do not install unit under a cooktop, damage may occur.
- Dishwasher designed to also accept custom door panel to match with custom cabinetry. (Refer to Custom Panel Specifications on this page.)

### Custom Panel Specifications

- Panel Dimensions – 30-1/8"H max. x 23-11/16"W x 3/4"D
- Panel Weight – 12 Lbs. max (including handle)
- Refer to web for detailed custom panel construction and installation instructions.

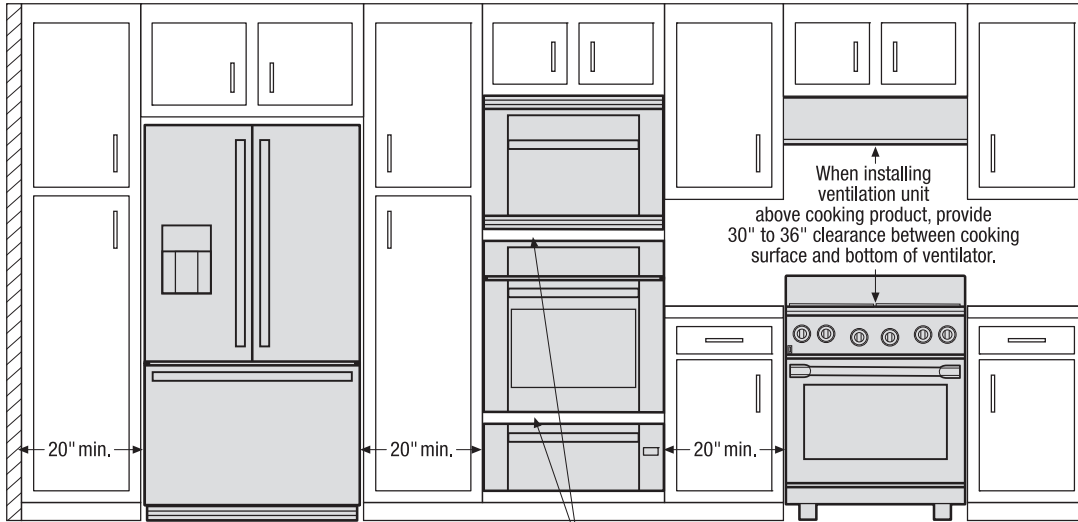
**Note:** For planning purposes only. Refer to Product Installation Guide on the web at [electroluxicon.com](http://electroluxicon.com) for detailed instructions.

### Electrolux Major Appliances, N.A.

USA • 10200 David Taylor Drive • Charlotte, NC 28262 • 1-877-4electrolux (1-877-435-3287) • [electroluxicon.com](http://electroluxicon.com)  
CANADA • 5855 Terry Fox Way • Mississauga, ON L5V 3E4 • 1-800-265-8352 • [electroluxicon.ca](http://electroluxicon.ca)

Use these dimensions and clearance instructions for planning purposes only. For detailed installation instructions, refer to installation guide, packed with product, or on the web at [electroluxicon.com](http://electroluxicon.com).

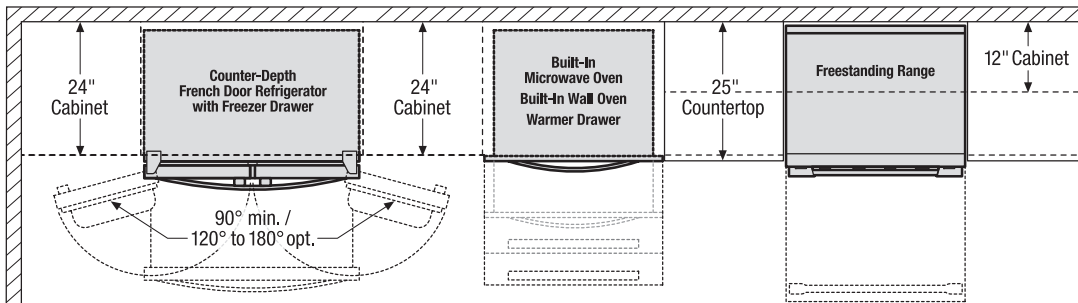
Front



When installing appliances adjacent to each other, 20" minimum distance between each appliance required.

When installing built-in cooking appliances in combination, 2" minimum visible gap between appliance faceplates required.

Top

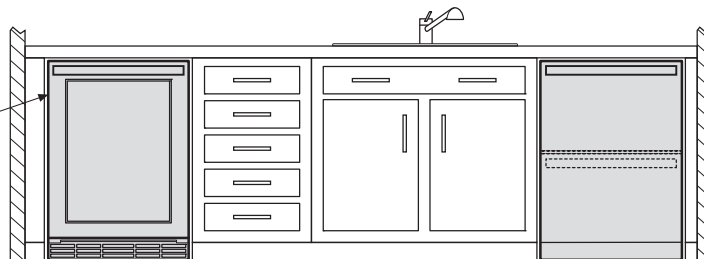


When installing refrigerator adjacent to wall, cabinet or another appliance that extends beyond front edge of unit, 20" minimum clearance recommended to allow for optimum 120° to 180° door swing, providing complete drawer/crisper access and removal.

When installing appliance with sliding drawer or drop-down door directly across from obstructions, provide sufficient clearance for drawer extension or door swing.

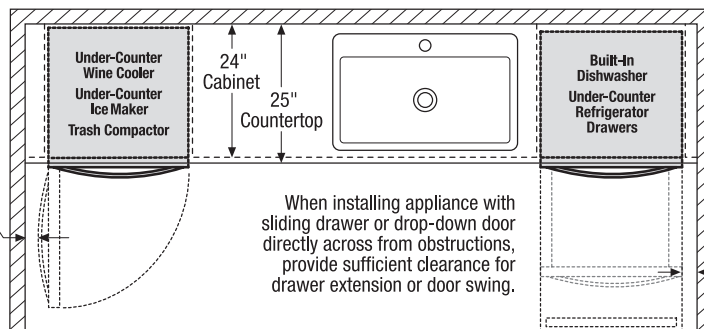
Front

To ensure optimum performance, avoid installing refrigeration appliances in direct sunlight or near heat source.



Top

When installing appliance with side-swing door adjacent to wall, cabinet, or other obstruction that extends beyond front edge of appliance, door swing and handle clearance must be sufficient to allow access to appliance interior.



When installing appliance with sliding drawer or drop-down door directly across from obstructions, provide sufficient clearance for drawer extension or door swing.

When installing appliance with sliding drawer or drop-down door adjacent to wall, cabinet, or other obstruction that extends beyond front edge of appliance, allow 2" minimum clearance between drawer or door and obstruction.

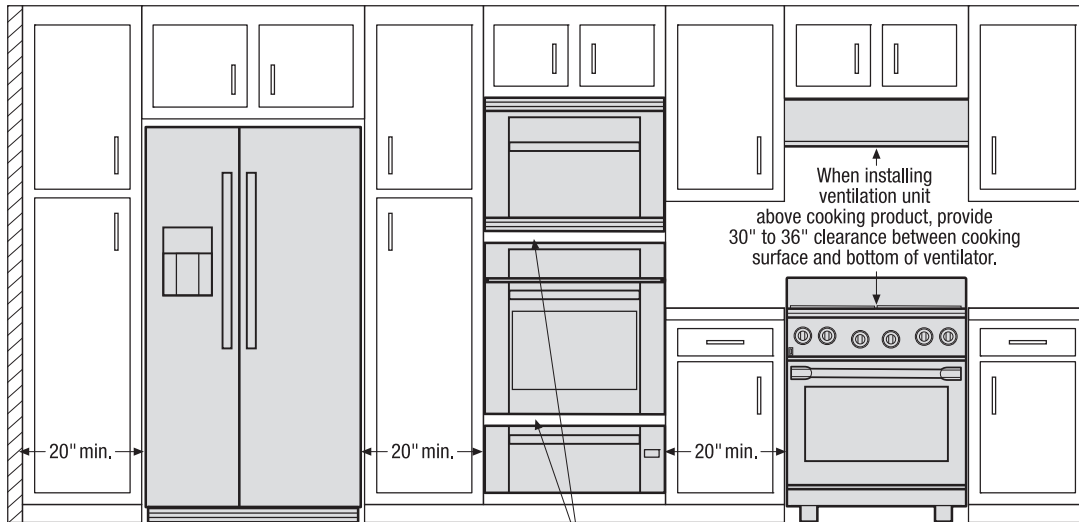
Electrolux Major Appliances, N.A.

USA • 10200 David Taylor Drive • Charlotte, NC 28262 • 1-877-4electrolux (1-877-435-3287) • [electroluxicon.com](http://electroluxicon.com)  
CANADA • 5855 Terry Fox Way • Mississauga, ON L5V 3E4 • 1-800-265-8352 • [electroluxicon.ca](http://electroluxicon.ca)

High standards of quality at Electrolux Home Products, Inc. mean we are constantly working to improve our products. We reserve the right to change specifications or discontinue models without notice.

Use these dimensions and clearance instructions for planning purposes only. For detailed installation instructions, refer to installation guide, packed with product, or on the web at [electroluxicon.com](http://electroluxicon.com).

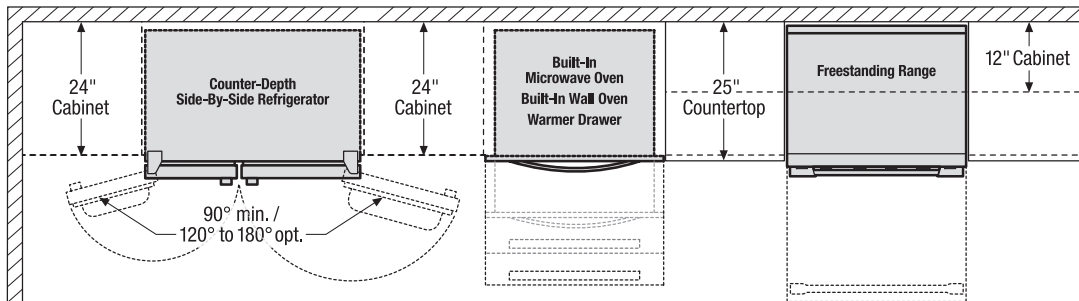
Front



When installing appliances adjacent to each other, 20" minimum distance between each appliance required.

When installing built-in cooking appliances in combination, 2" minimum visible gap between appliance faceplates required.

Top

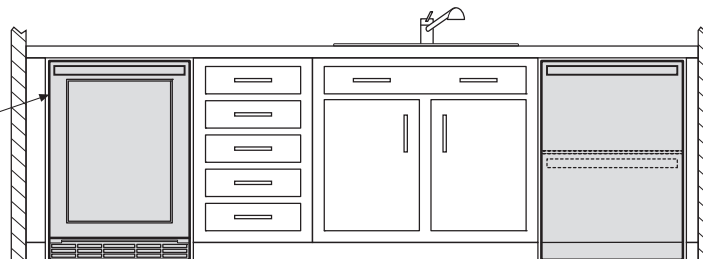


When installing refrigerator adjacent to wall, cabinet or another appliance that extends beyond front edge of unit, 20" minimum clearance recommended to allow for optimum 120° to 180° door swing, providing complete drawer/crisper access and removal.

When installing appliance with sliding drawer or drop-down door directly across from obstructions, provide sufficient clearance for drawer extension or door swing.

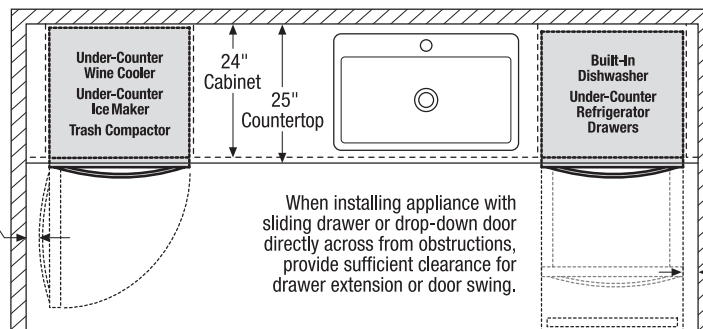
Front

To ensure optimum performance, avoid installing refrigeration appliances in direct sunlight or near heat source.



Top

When installing appliance with side-swing door adjacent to wall, cabinet, or other obstruction that extends beyond front edge of appliance, door swing and handle clearance must be sufficient to allow access to appliance interior.



When installing appliance with sliding drawer or drop-down door directly across from obstructions, provide sufficient clearance for drawer extension or door swing.

When installing appliance with sliding drawer or drop-down door adjacent to wall, cabinet, or other obstruction that extends beyond front edge of appliance, allow 2" minimum clearance between drawer or door and obstruction.

## Electrolux Major Appliances, N.A.

USA • 10200 David Taylor Drive • Charlotte, NC 28262 • 1-877-4electrolux (1-877-435-3287) • [electroluxicon.com](http://electroluxicon.com)  
 CANADA • 5855 Terry Fox Way • Mississauga, ON L5V 3E4 • 1-800-265-8352 • [electroluxicon.ca](http://electroluxicon.ca)

High standards of quality at Electrolux Home Products, Inc. mean we are constantly working to improve our products. We reserve the right to change specifications or discontinue models without notice.