

FRONT LOAD WASHERS

EFLS210T IS/IW

With IQ-Touch™ Electronic Controls Featuring Perfect Steam™



PRODUCT DIMENSIONS

| | |
|--------|---------|
| Height | 33-1/2" |
| Width | 24" |
| Depth | 25" |

MORE EASY-TO-USE FEATURES

NSF® CERTIFIED

Our products undergo rigorous testing to ensure they meet the industry safety standards.

DEEP CLEAN SANITATION CYCLE

Removes 99% of bacteria and 95% of common household allergens⁴.

HIGHEST SPIN SPEED

1400 RPM spin speed removes more water and allows for more efficient drying. Highest spin speed available.

LUXURY-QUIET™

So quiet you can run it whenever you want.

PERFECT BALANCE® SYSTEM/ SECOND FLOOR GUARANTEE

State-of-the-art technology keeps even oversized wash loads balanced for smooth, quiet operation. Perfect for installation upstairs — even near bedrooms.

IQ-TOUCH™ CONTROLS

Unique knobless controls and intuitive design offer clean, sleek style to fit any space and provide easy operation.

ENERGY STAR® QUALIFIED

Our products meet strict criteria to guarantee high-quality energy efficient performance.

ECO-FRIENDLY

Gentle on the environment and your clothes. Washers are 75% more energy efficient⁶ and use 56% less water.

DELAY START

Adjust washer start time to meet your lifestyle needs.

SIGNATURE FEATURES



PERFECT STEAM™ WASHER

Only steam washer available in compact laundry industry¹. Our Perfect Steam™ washer releases steam from the bottom so it uses the natural rise of steam to more effectively remove stains. Includes optional direct drain kit.



INDUSTRY LEADING CAPACITY²

Wash the most in one compact load with our 2.4 cu. ft. capacity washer.



EXPERTCARE™ WASH SYSTEM

No other compact washer cleans better³. State-of-the-art wash technology includes varied wash motions and bottom-vent steam options to deliver the best front load cleaning performance.



14 SPECIALTY CYCLES

Including Fast Wash, Eco-Friendly, Delicate.

Available in:



Stainless
(IS)



Island White
(IW)

¹Compact industry refers to washers/dryers 25" and below.

²Among like priced models.

³Compared to traditional compact washers.

⁴Our products meet the NSF® testing standards.

⁶Energy efficiency based on current DOE Federal minimum standard for washers based on MEF.

FRONT LOAD WASHERS

EFLS210T IS/IW



24" FRONT LOAD WASHER

| | |
|-----------------|------------|
| Capacity D.O.E. | 2.4 Cu.Ft. |
|-----------------|------------|

FEATURES

| | |
|--|------------------|
| Pull-to-Open Door | Yes |
| iQ-Touch™ Electronic Controls | Yes |
| Perfect Steam™ Wash System | Yes |
| Balance System | Perfect Balance® |
| Sound System | Luxury-Quiet™ |
| Wash System | ExpertCare™ |
| Integral Water Heater | Yes |
| Wash Drum | Stainless Steel |
| Automatic Temperature Control | Yes |
| Automatic Water Level Adjustment | Yes |
| Auto Prewash Detergent Dispenser (Liquid/Powder) | Yes |
| Auto Bleach Dispenser (Liquid Only) | Yes |
| Auto Detergent Dispenser (Liquid/Powder) | Yes |
| Auto Fabric Softener Dispenser (Liquid Only) | Yes |
| Spin Speed (RPM) | 1,400 |
| Adjustable Leveling Legs | Yes |
| ENERGY STAR® | Yes |
| NSF® Certified | Yes |

CYCLES

| | |
|---|-------------|
| Normal, Deep Clean Sanitize, Heavy Duty, Delicates, Rinse & Spin, Casual; | 6 Wash; |
| Steam Refresh, Normal with Steam, Casual with Steam; | 3 Steam; |
| Fast Wash, Whites, Wool, Jeans, Clean Washer | 5 Specialty |

OPTIONS

| | |
|------------------------|-----|
| Temperature Selections | 5 |
| Add Steam | Yes |
| Spin Speed Selections | 5 |
| Soil Level Selections | 5 |
| Delay Start (Hours) | Yes |
| End-of-Cycle Chime | Yes |

INSTALLATION OPTIONS

| | |
|---|-----|
| Freestanding, Under Counter, Stacked (Under Dryer), Recessed Alcove | Yes |
|---|-----|

ACCESSORIES

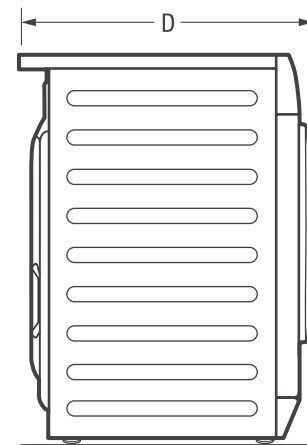
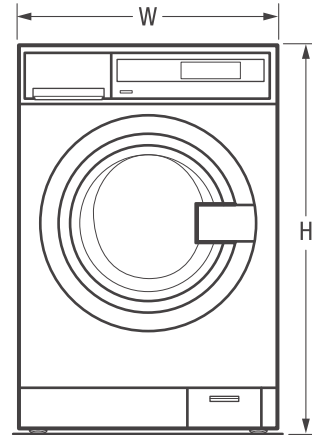
| | |
|---|----------|
| Dryer Stacking Kit – | |
| Stainless Steel with Drawer– PN# STACKIT24S | Optional |
| White with Drawer– PN# STACKIT24W | Optional |
| No Drawer– PN# STACKIT24C | Optional |
| Direct Drain Kit | Included |

SPECIFICATIONS

| | |
|---|----------------|
| Color – | |
| Stainless Steel | IS |
| White | IW |
| Power Supply Location | Top Right Rear |
| Water Inlet Location | Top Right Rear |
| Voltage Rating | 120V / 60 Hz |
| Connected Load (kW Rating) @ 120 Volts ¹ | 1.3 kW |
| Watts @ 120 Volts | 1300 W |
| Amps @ 120 Volts | 10A |
| Shipping Weight (Approx.) | 180 Lbs. |

¹An electrical supply with grounded three-prong receptacle is required. The power supply circuit must be installed in accordance with current edition of National Electrical Code (NFPA 70) and local codes & ordinances.

NOTE: Always consult local and national electric and plumbing codes. Refer to Product Installation Guide for detailed installation instructions on the web at electroluxappliances.com. Specifications subject to change.



PRODUCT DIMENSIONS

| | |
|----------------------|---------|
| Height | 33-1/2" |
| Width | 24" |
| Depth | 25" |
| (with Door 90° Open) | 42" |

Electrolux Major Appliances, N.A.

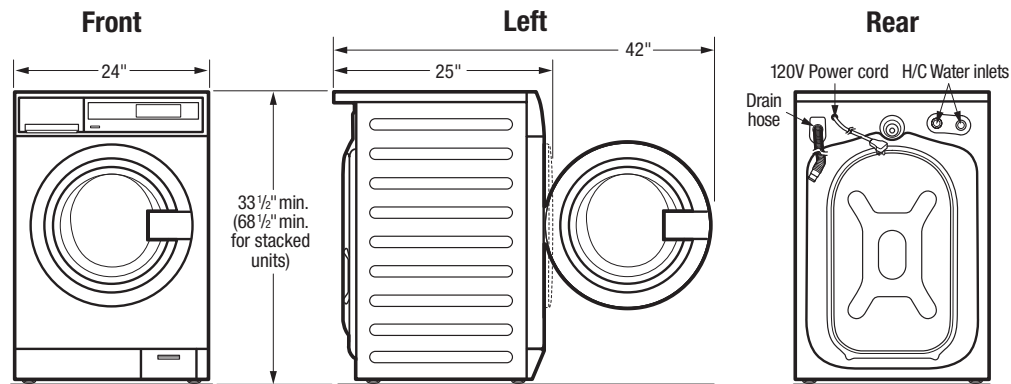
USA • 10200 David Taylor Drive • Charlotte, NC 28262 • 1-877-4electrolux (1-877-435-3287) • electroluxappliances.com
 CANADA • 5855 Terry Fox Way • Mississauga, ON L5V 3E4 • 1-800-265-8352 • electroluxappliances.ca

EFLS210T 08/17

© 2017 Electrolux Home Products, Inc.

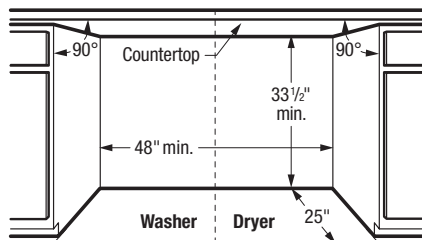


High standards of quality at Electrolux Home Products, Inc. mean we are constantly working to improve our products. We reserve the right to change specifications or discontinue models without notice.

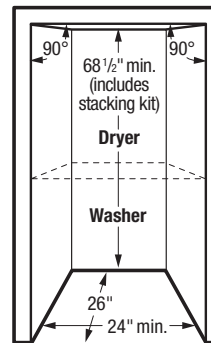


Built-In Installations

For built-in installations, NO minimum clearance required around sides, backs and tops of units. Location of plumbing and utility hookups MUST be considered in built-in installations. For additional installation details, refer to Product Installation Guides on web.



Side-by-Side Units in Under-Counter Installation



Stacked Units in Recessed Alcove Installation

For detailed stacked installation, refer to instructions included with Stacking Kit or on web. **Note:** Stacking Kit adds 1" to overall depth of stacked units.

Front Load Washer Specifications

- Product Weight – 174 Lbs.
- An electrical supply with grounded three-prong receptacle is required. The power supply circuit must be installed in accordance with current edition of National Electrical Code (ANSI/NFPA 70) and local codes & ordinances. (Do not use same circuit as dryer.)
- Voltage Rating – 120V/60Hz
- Connected Load (kW Rating) @ 120 Volts = 1.3 kW
- Amps @ 120V = 10A
- Equipped with 120V 3-wire power supply cord, approx. 59" long.
- Always consult local and national electric & plumbing codes.
- To maximize detergent effectiveness, ambient temperature should never be below 60°F.
- Can be installed alone or stacked beneath matching Electrolux Dryer, which requires installation of optional dryer stacking kit. (For installation details, refer to instructions included with stacking kit or on web.)
- Can be built in with matching Electrolux Dryer in under-counter or recessed alcove installation with NO minimum clearance required around sides, backs and tops of units. (Refer to Built-In Installations on this page for cutout dimensions. For additional installation details, refer to Product Installation Guide on web.)

- Do NOT install in area exposed to dripping water or outdoor weather conditions, or where gasoline or other flammables are kept or stored.
- For garage installation, washer MUST be located minimum 18" above floor.
- Floor MUST be solid with 1" maximum slope. To ensure vibration or movement does not occur, reinforcement of floor may be necessary. Do NOT install on carpeted surface.
- Leveling legs supplied to level washer properly and reduce excessive noise and vibration.
- H/C water faucets MUST be installed within hose length of washer's water inlet and MUST be 3/4" garden hose type, to connect to inlet hoses.
- Water pressure MUST be between 10 and 110 psi with NOT more than 10 psi pressure difference between hot and cold.
- Drain required with standpipe diameter of 1-1/4" min. and height of 24" min./56-1/2" max. above floor, capable of eliminating 6 gallons per minute. Drain hose length approximately 55". **Note:** When installing with matching Condensation Dryer using Direct Condensation Drain Hose Kit, standpipe height must be located 40" max. above bottom of dryer's leveling legs.

Note: For planning purposes only. Refer to Product Installation Guide on the web at electroluxappliances.com for detailed instructions.

Optional Accessories

- Dryer Stacking Kit – Stainless Steel with Drawer (PN# STACKIT24S), White with Drawer (PN# STACKIT24W), No Drawer (PN# STACKIT24C).

Electrolux Major Appliances, N.A.

USA • 10200 David Taylor Drive • Charlotte, NC 28262 • 1-877-4electrolux (1-877-435-3287) • electroluxappliances.com
 CANADA • 5855 Terry Fox Way • Mississauga, ON L5V 3E4 • 1-800-265-8352 • electroluxappliances.ca

