

Over-the-Range Microwave

EI30BM60MS



Convection Cooking

Gives you oven results at microwave speed—perfect for roasting, cooking and baking everything from steaks to cupcakes.



Cook-2-Perfection® Technology

Uses a diamond-design rear wall, plus stirring fan and turntable to heat your food evenly every time.



Quartz Grill Element

Provides a true oven bake finish.



Auto-Cook Options

Cook display prompts you through Quick Meal options and Dinner Recipes.

30" OVER-THE-RANGE CONVECTION MICROWAVE

Oven Cavity	1.8 Cu. Ft.
Watts	1000
Oven Interior	Stainless Steel
Interior Light	Yes
14-1/4" Glass Turntable	Yes

Control Panel Features

IQ-Touch™ Electronic Controls	Yes
Convection	Yes
Front Display with Blue LED	Yes
Electronic Clock & Timer	Yes
Humidity Sensor	Yes
Power Levels	10
Touch Pad Controls	31
Fast Cook Options	Yes
Cook-2-Perfection® Technology	Yes
Auto-Start	Yes
Auto-Defrost Options	6
Auto-Cook Options – Quick Meal (4), Dinner Recipes (5)	9
Auto-Melt/Soften Options – Ice Cream (1), Cream Cheese (1), Butter (1), Chocolate (1)	4
Auto-Reheat Options – Breads (2), Pasta (1)	3
Beverage (0.5 – 2.0 Cups)	Yes
Sensor-Cook Options – Cook (5), Reheat (1), Popcorn (1), Baked Potato (1), Frozen Vegetables (1), Fresh Vegetables (1)	10
Multi-Stage Cooking Options	4
Shortcut Options	6
Add 30 Seconds	Yes
Custom Help Options	5
Panel Lock	Yes
Demo Mode	Yes
Adjustable Sound Level For Timers/Reminders	Yes
More/Less Function	Yes

Additional Features

Signature Soft-Arc Oven Door and Handle Design	Yes
Glass Window	Yes

Ventilation System

Hood Fan	Yes
Exhaust Duct	Convertible*
Exhaust Fan (400 CFM)	4-Speed
Charcoal Filters (Recirculated Installation)	1
Grease Filters	2

Accessories

Metal Rack	Included
36" Filler Kit	Optional
Stainless Steel – PN # MWFILKTSS	

Specifications

Color –	Stainless Steel	S
Oven Cavity Dimensions –		
Height	9-15/16"	
Width	21-1/4"	
Depth	14-23/32"	
Product Dimensions –		
Height (Including Lower Extrusion)	17-9/16"	
Width	29-7/8"	
Depth (to Center of Arc - Including Rear Extrusion)	17-3/8"	
Power Supply Connection Location	Right Top Rear	
Voltage Rating	120V/60Hz/15A	
Connected Load (kW Rating) @ 120 Volts†	1.71	
Amps @ 120 Volts	14.3	
Frequency (MHz)	2450	
Microwave – Watts @ 120 Volt input	1050	
Convection – Watts @ 120 Volt input	1500	
40" Electrical Cable	Included	
Shipping Weight (Approx.)	85 Lbs.	

*Ventilation system is preset to recirculate air inside with no ducting. Converting to exterior exhaust is optional.

† For use on adequately wired 120V, dedicated circuit having 2-wire service with a separate ground wire. Appliance must be grounded for safe operation.

NOTE: Always consult local and national electric codes. Refer to Product Installation Guide for detailed installation instructions on the web at electroluxappliances.com.

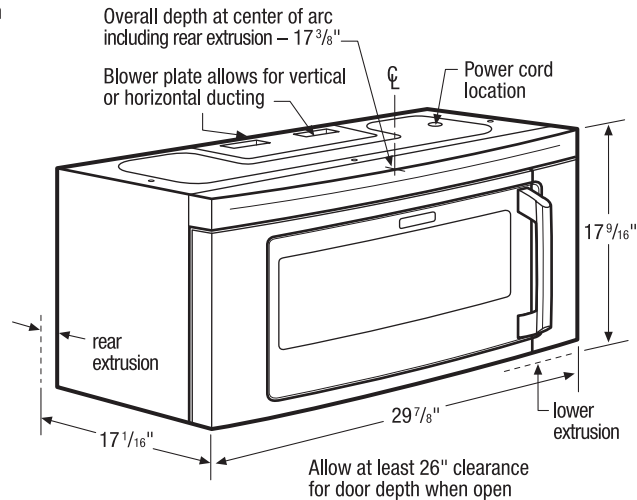
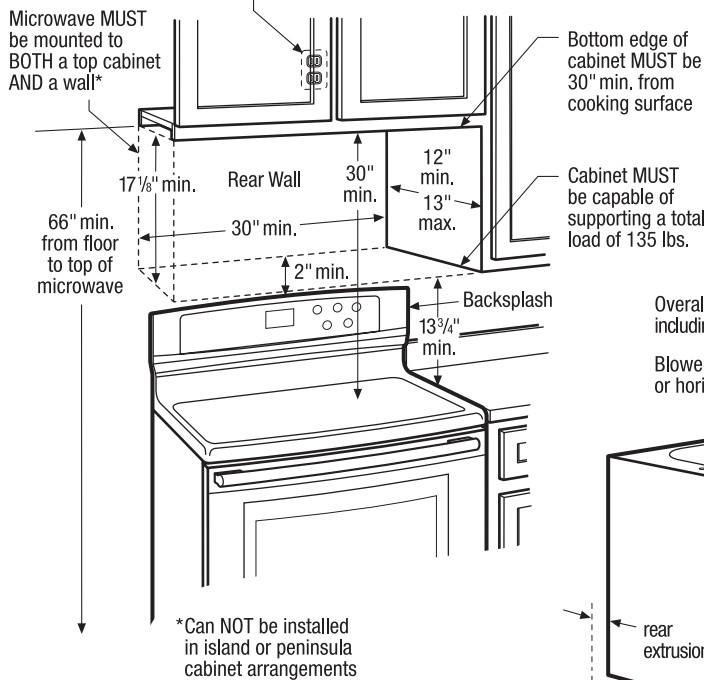
Specifications subject to change.

Over-the-Range Microwave

EI30BM60MS



Locate 120V/60Hz grounded outlet inside upper cabinet



30" Over-the-Range Microwave Specifications

- Product Weight – 70 Lbs.
- Voltage Rating – 120V/60 Hz/15 Amps
- Connected Load (kW Rating) @ 120 Volts = 1.71 kW (For use on adequately wired 120V, dedicated circuit having 2-wire service with a separate ground wire. Appliance must be grounded for safe operation.)
- Amps @ 120 Volts = 14.3 Amps
- Always consult local and national electric codes.
- Grounded outlet should be located in cabinet above, with hole in base to route power cord. Carefully follow top template instructions for power cord clearance when installing beneath smooth, flat cabinets.
- Microwave's ventilation system is preset to recirculate air inside with no ducting system required. Exhausting air outside is optional, using either vertical or horizontal ducting system. (Refer to Ducted Option Specifications for outside ventilation.)
- For safe and proper installation, microwave MUST be mounted to BOTH a top cabinet AND a wall, and connected to at least one wall stud. Can NOT be installed in island or peninsula cabinet arrangements.
- Cabinet bottom MUST be level to insure proper installation.
- Cabinet MUST be capable of supporting a total load of 135 lbs.
- Filler blocks recommended for installation when cabinet front hangs below recessed bottom shelf.
- Minimum distance of 30" required from cooking surface to bottom edge of top cabinet.
- Minimum distance of 66" required from floor to top of microwave.
- Opening between cabinets MUST be 30" wide and free of obstructions. For openings up to 36" wide, order optional 36" Filler Kit to fill in gap between unit and cabinets.
- Allow 26" minimum clearance for 90° door swing.

Ducted Option Specifications

- For outside ventilation.
- Exhaust duct adapter will be needed for outside ventilation, to mate with standard 3-1/4" x 10" rectangular duct. If round duct required, rectangular-to-round transition adapter will be needed with no more than 6" diameter.
- For most efficient airflow exhaust, use a straight run or as few elbows as possible with a maximum duct length of 3-1/4" x 10" rectangular or 6" diameter round duct, not to exceed 120 equivalent feet.
- For horizontal installation, be sure to allow enough space between wall studs to accommodate exhaust.
- Refer to installation instructions on web for detailed duct preparation and converting exhaust vent blower system for exterior exhaust ventilation.

Note: For planning purposes only. Refer to Product Installation Guide on the web at electroluxappliances.com for detailed instructions.

Optional Accessories

- 36" Filler Kit: S – (PN # MWFILKTSS).

Electrolux Major Appliances, N.A.

USA • 10200 David Taylor Drive • Charlotte, NC 28262 • 1-877-4electrolux (1-877-435-3287) • electroluxappliances.com
 CANADA • 5855 Terry Fox Way • Mississauga, ON L5V 3E4 • 1-800-265-8352 • electroluxappliances.ca

EI30BM60M 06/15

© 2015 Electrolux Home Products, Inc.



High standards of quality at Electrolux Home Products, Inc. mean we are constantly working to improve our products. We reserve the right to change specifications or discontinue models without notice.