

SINGLE WALL OVEN

EI30EW38TS

Featuring IQ-Touch™ Electronic Controls



PRODUCT DIMENSIONS

Height (Including 1" Bottom Trim)	29"
Width	30"
Depth (to Front Door Corner)	24-3/4"
(with 90° Door Open)	45-3/4"

MORE EASY-TO-USE FEATURES

PERFECT TASTE® TEMP PROBE

Once your roast has reached the perfect temperature, the controls automatically adjust temperature to the Keep Warm setting to help prevent overcooking.

FRESH STEAM CLEAN

Keep your oven looking its best with the light 20-minute oven cleaning cycle that's chemical-free and odor-free.

LARGE OVEN CAPACITY

Coordinate an entire meal with our largest oven that features 5.1 cu. ft. of cooking space with three adjustable racks.

LUXURY-GLIDE® OVEN RACKS

With a ball bearing system, the oven racks are so smooth they extend effortlessly.

IQ-TOUCH™ CONTROLS

Modern, sleek controls that display all of the cooking modes at all times.

CONVECTION CONVERSION

Automatically adjusts standard baking temperatures to convection temperatures, for perfect, consistent results.

PERFECT FIT PROMISE

Use our Perfect Fit tool to help find the right oven for you. Then, we guarantee it will fit your existing space or we'll reimburse your cabinet modification.

A.D.A. COMPLIANT

When properly installed, this model is A.D.A.-qualified based on the United States Access Board's A.D.A./A.B.A. Accessibility Guidelines and the Department of Justice's 2010 A.D.A. Standards for Accessible Design.

SIGNATURE FEATURES



PERFECT TASTE® ADVANCED CONVECTION

Enjoy savory meats and tender vegetables at every meal — two convection fans to evenly control heat and air that results in better baking and roasting.



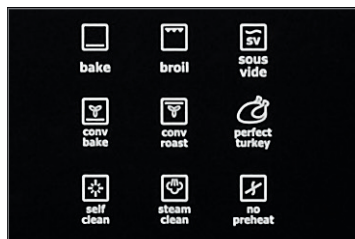
AIR SOUS VIDE

Create extraordinary meals at home with Air Sous Vide that uses precisely controlled low temperature and airflow around vacuum-sealed ingredients to lock in the flavor and aroma of your recipe.



PERFECT TURKEY® BUTTON

Precisely times your convection roast for delicious turkey — crispy on the outside and juicy on the inside. Includes a countdown so you can time your other dishes for the perfect meal.



NO PREHEAT

Savor sooner — start baking immediately with No Preheat that adjusts your oven temperature throughout the baking process so you can start cooking while your oven is still heating up to your desired temperature.¹

Available in:


 Stainless
(S)

¹No Preheat mode is best used for single-rack baking of frozen or pre-made items and food that needs to cook for longer than 10 minutes.

SINGLE WALL OVEN

EI30EW38TS



30" ELECTRIC SINGLE WALL OVEN

Configuration	Single
---------------	--------

CONTROL PANEL FEATURES

IQ-Touch™ Electronic Oven Controls	Yes
Keypad Entry of Time & Temperature	Yes
Electronic Clock & Timer	Yes
Temperature Display	Yes
Automatic Oven (Delay, Cook & Off)	Yes
Lockout	Yes
Automatic Oven Shutoff – 12 Hour	Yes
Programmable for °F or °C	Yes
Halogen Oven Lights/Touch Pad On/Off	Yes

OVEN FEATURES

Oven Cavity	5.1 Cu. Ft.
Hidden Bake Element	Yes
Electric Bake Element – 2200 Watts	Yes
Six-Pass Broil Element – 4000 Watts	Yes
Convection Element – 3400 Watts	Yes
Cobalt Blue Interior	Yes
Self-Clean Options with Door Lock	3
Fresh Steam Clean	Yes
Perfect Taste® Advanced Convection with Variable 2-Speed Fans	Yes
Cooking Modes – Bake, Broil, Sous Vide, Convection Bake, Convection Roast, Perfect Turkey®, Keep Warm	7
Baking Options – Temperature Probe, No Preheat, Delay Bake, Convection Convert	4
Halogen Oven Lights (Dual 25W Bulbs)	Yes
Luxury-Glide® Rack	1
Conventional Racks	2

ADDITIONAL FEATURES

Signature Soft-Arc Handle Design	Yes
Flat Oven Door Design	Yes
Extra-Large Glass Window	Yes
Sabbath Mode (Star-K® Certified)	Yes
A.D.A. Compliant*	Yes

ACCESSORIES

Porcelain Broiler Pan and Insert	Included
3"-High Bottom Trim: S – PN# 903114-9110	Optional
10'-Long Armored Power Cable – PN# 903056-9010	Optional

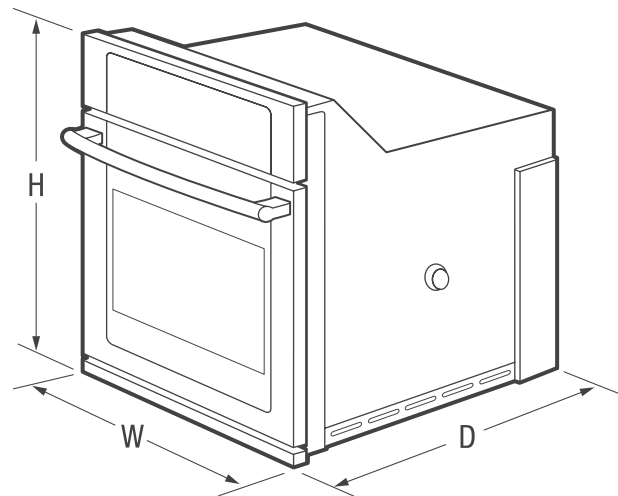
SPECIFICATIONS

Color – Stainless Steel	S
Power Supply Connection Location	Left Bottom Rear
Connected Load (kW Rating) @ 240/208 Volts	4.5/3.4
Amps @ 240/208 Volts	18.8/16.3
Minimum Circuit Required (Amps)	20
3-1/2'-Long Armored Electrical Cable	Included
Approved for Under-Counter Installation**	Yes
Shipping Weight (Approx.)	165 Lbs.

*When properly installed, this model is A.D.A.-qualified based on the United States Access Board's A.D.A./A.B.A. Accessibility Guidelines and the Department of Justice's 2010 A.D.A. Standards for Accessible Design.

**Single Wall Oven is approved to be used beneath Electrolux gas cooktop models EW30GC55P, EW30GC60P and EW30GC53P; electric cooktop models EI30EC45K and EI36EC45K; or induction cooktop models EW30IC60L and EW36IC60L.

NOTE: Always consult local and national electric codes. Refer to Product Installation Guide for detailed installation instructions on the web at electroluxappliances.com. Specifications subject to change.



PRODUCT DIMENSIONS

Height (Including 1" Bottom Trim)	29"
Width	30"
Depth (to Front Door Corner) (with 90° Door Open)	24-3/4" 45-3/4"

OVEN CAVITY DIMENSIONS

Height	18-5/8"
Width	24-1/8"
Depth	19-1/2"

Electrolux Major Appliances, N.A.

USA • 10200 David Taylor Drive • Charlotte, NC 28262 • 1-877-4electrolux (1-877-435-3287) • electroluxappliances.com
 CANADA • 5855 Terry Fox Way • Mississauga, ON L5V 3E4 • 1-800-265-8352 • electroluxappliances.ca

EI30EW38T 07/17

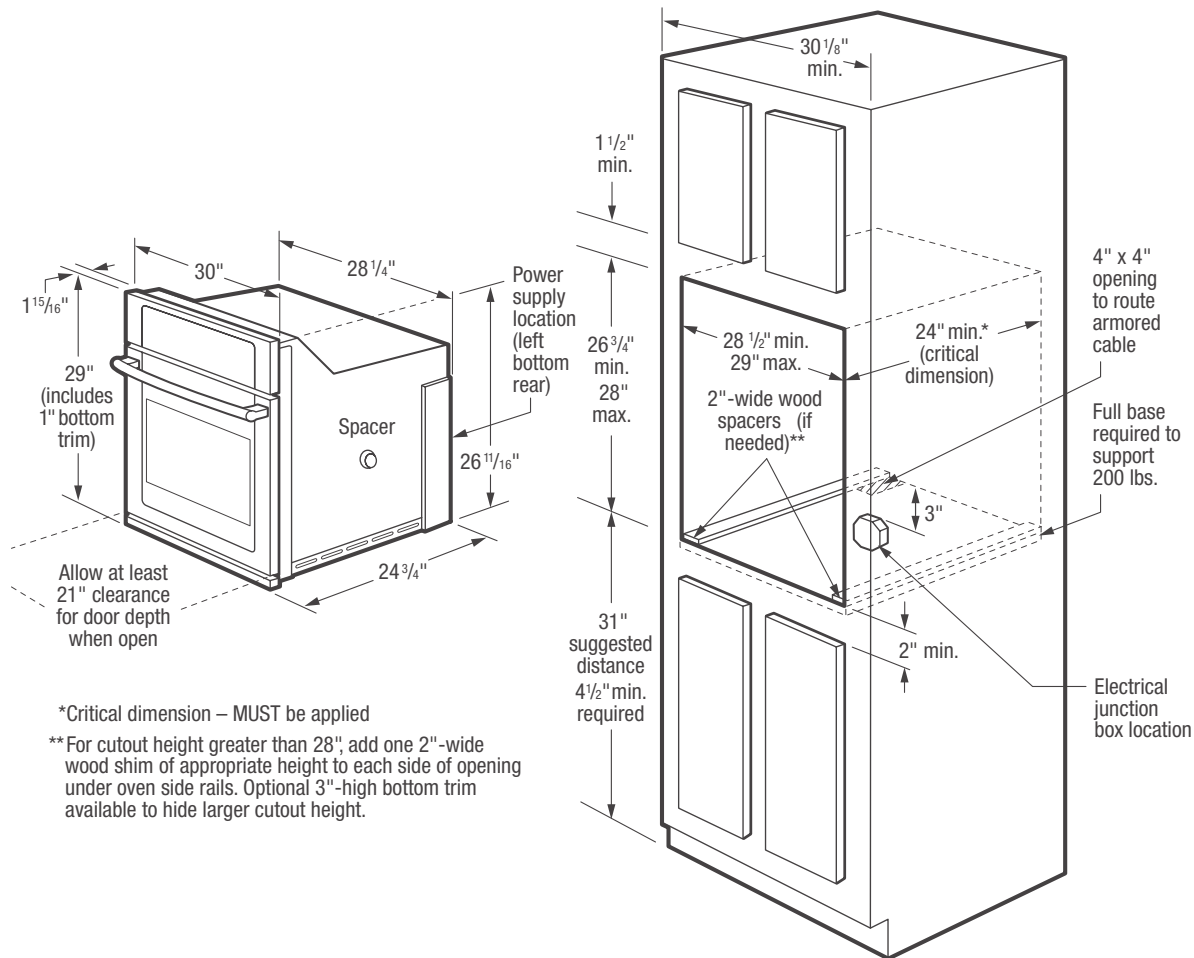
© 2017 Electrolux Home Products, Inc.



High standards of quality at Electrolux Home Products, Inc. mean we are constantly working to improve our products. We reserve the right to change specifications or discontinue models without notice.

SINGLE WALL OVEN

EI30EW38TS



*Critical dimension – MUST be applied

** For cutout height greater than 28", add one 2"-wide wood shim of appropriate height to each side of opening under oven side rails. Optional 3"-high bottom trim available to hide larger cutout height.

30" Electric Single Wall Oven Specifications

- Product Weight – 145 Lbs.
- Single phase 3- or 4-wire cable, 120 /240 or 120/208 Volt, 60 Hertz AC only electrical supply with ground required on separate circuit fused on both sides of line.
- Connected Load (kW Rating) @ 240/208 Volts = 4.5 / 3.4 kW
- Amps @ 240/208 Volts = 18.8 / 16.3 Amps
- Recommended Circuit Breaker – 20 Amps
- Always consult local and national electric codes.
- Minimum 21" clearance for oven door depth when open.
- Suggested distance from floor is 31". Minimum required distance is 4-1/2".
- Minimum 24" deep cutout dimension is critical for proper installation, to ensure that oven's faceplate will fit flush against cabinet front.
- For cutout height greater than 28", add one 2"-wide wood shim of appropriate height to each side of opening under oven side rails. Optional 3"-high bottom trim available to hide larger cutout height.
- Full oven base of solid plywood or similar material required, capable of supporting 200 Lbs.
- Base must be level and cabinet front must be square.
- Single Wall Ovens are NOT approved to be used in stackable or side-by-side installation.

- Single Wall Ovens are approved to be used alone in under-counter installation or beneath Electrolux gas cooktop models, EW30GC55P, EW30GC60P and EW36GC55P; electric cooktop models EI30EC45K and EI36EC45K; or induction cooktop models EW30IC60L and EW36IC60L. (Refer to Gas or Electric Cooktop Installation Over 30" / 27" Electric Single Wall Oven Specifications pages on web.)
- Single Wall Ovens are approved to be used in combination with any Electrolux Warmer Drawer. (Refer to model-specific Warmer Drawer product page for Combination Installation Specifications.)
- Single Wall Ovens are approved to be used in combination with any Electrolux Built-In Microwave Oven. (Refer to model-specific Combination Installation Specifications pages on web.)

Note: For planning purposes only. Refer to Product Installation Guide on the web at electroluxappliances.com for detailed instructions.

Optional Accessories

- 3"-High Bottom Trim: S – (PN# 903114-9110).
- 10'-Long Armored Power Cable – (PN# 903056-9010).

Electrolux Major Appliances, N.A.

USA • 10200 David Taylor Drive • Charlotte, NC 28262 • 1-877-4electrolux (1-877-435-3287) • electroluxappliances.com
 CANADA • 5855 Terry Fox Way • Mississauga, ON L5V 3E4 • 1-800-265-8352 • electroluxappliances.ca

EI30EW38T 07/17

© 2017 Electrolux Home Products, Inc.



High standards of quality at Electrolux Home Products, Inc. mean we are constantly working to improve our products. We reserve the right to change specifications or discontinue models without notice.