

SINGLE WALL OVEN

EW27EW55PS

Featuring Wave-Touch® Electronic Controls



PRODUCT DIMENSIONS

| | |
|-----------------------------------|---------|
| Height (Including 1" Bottom Trim) | 29" |
| Width | 27" |
| Depth | 24-3/4" |

MORE EASY-TO-USE FEATURES

FRESH CLEAN™ TECHNOLOGY

Exclusive Fresh Clean™ self-cleaning technology virtually eliminates odors and smoke to keep the room smelling fresh.

SELF-CLEANING PORCELAIN RACKS

Bake, roast, broil, savor — the cleaning's on us. Our porcelain racks are safe to stay inside of the oven during the self-clean cycle, eliminating the mess and inconvenience of removing and cleaning racks by hand.

LARGE CAPACITY

Coordinate an entire meal — our ovens feature 3.9 cu. ft. of cooking space with three adjustable baking racks.

FLAT OVEN DOOR DESIGN

Our unique flat oven door is sleekly designed with fewer bumps and ridges — so it not only looks great but is easier to clean.

LUXURY-GLIDE® OVEN RACK

With a ball bearing system, the oven rack is so smooth they extend effortlessly.

PERFECT FIT PROMISE

Find the perfect Electrolux wall oven for your space using a convenient online tool.

FAST PREHEAT

Savor sooner, with Fast Preheat.

PRECISE BAKING OPTIONS

Includes Perfect Turkey®, Defrost, Dehydrate, Bread Proof, My Favorites, Multi-Stage Cooking, Temperature Probe, Fast Preheat, Delay Bake and Convection Convert.

PLATINUM STAR® LIMITED WARRANTY

Our exclusive limited warranty that includes a 3-year coverage on parts and one year on labor without charge.¹

A.D.A. COMPLIANT

When properly installed, this model is A.D.A.-qualified based on the United States Access Board's A.D.A./A.B.A. Accessibility Guidelines and the Department of Justice's 2010 A.D.A. Standards for Accessible Design.

Available in:



Stainless
(S)

¹Eligibility based on product registration with Electrolux North America within 60 days of purchase.

SIGNATURE FEATURES



PERFECT TASTE® CONVECTION

For consistently delicious taste and texture, home chefs rely on our convection heat, which circulates air evenly with two variable speeds that work in tandem with three heating elements.



PERFECT TASTE® TEMP PROBE

The Perfect Taste® Temp Probe does more than measure temperature — it keeps an active eye on your dishes by alerting you when food is at the peak of perfection and automatically adjusting to the Keep Warm setting.



MULTI-STAGE COOKING

Create great taste with ease. With Multi-Stage Cooking, an Electrolux oven is a built-in sous chef, helping you conquer delicious by adjusting between seven professionally inspired cooking modes, including Bake, Broil, Convection Bake, Convection Roast, Convection Broil, Keep Warm and Slow Cook.



PERFECT TURKEY®

New and improved Perfect Turkey® button works to precisely time and coordinate three convection modes — bake, broil, and roast — for turkey that is crispy on the outside and juicy on the inside. It even counts down the time remaining, so all dishes can be set to come out at the same time.

SINGLE WALL OVEN

EW27EW55PS



27" ELECTRIC SINGLE WALL OVEN

| | |
|--|-------------|
| Configuration | Single |
| CONTROL PANEL FEATURES | |
| Wave-Touch® Electronic Oven Controls | Yes |
| Keypad Entry of Time & Temperature | Yes |
| Electronic Clock & Timer | Yes |
| Temperature Display | Yes |
| Automatic Oven (Delay, Cook & Off) | Yes |
| Lockout | Yes |
| Automatic Oven Shutoff – 12 Hour | Yes |
| Programmable for °F or °C | Yes |
| Luxury-Design® Halogen Oven Lights/Touch Pad On/Off | Yes |
| OVEN FEATURES | |
| Oven Cavity | 3.9 Cu. Ft. |
| Hidden Bake Element | Yes |
| Electric Bake Element – 2500 Watts | Yes |
| Six-Pass Broil Element – 3400 Watts | Yes |
| Convection Element – 2500 Watts | Yes |
| Cobalt Blue Interior | Yes |
| Self-Clean Options with Door Lock | 3 |
| Fresh Clean™ | Yes |
| Perfect Taste® Convection with Variable 2-Speed Fan | Yes |
| Cooking Modes – Bake, Broil, Convection Bake, Convection Roast, Convection Broil, Keep Warm, Slow Cook | 7 |
| Baking Options – Perfect Turkey®, Defrost, Dehydrate, Bread Proof, My Favorites, Multi-Stage Cooking, Temperature Probe, Fast Preheat, Delay Bake, Convection Convert | 10 |
| Luxury-Design® Lighting with Dual 40W and Dual 25W Halogen Bulbs | Yes |
| Luxury-Glide® Racks | 1 |
| Conventional Racks | 2 |
| Convection Roasting Rack | Yes |
| ADDITIONAL FEATURES | |
| Signature Soft-Arc Handle Design | Yes |
| Flat Oven Door Design | Yes |
| Extra-Large Glass Window | Yes |
| Sabbath Mode (Star-K® Certified) | Yes |
| A.D.A. Compliant* | Yes |
| ACCESSORIES | |
| Porcelain Broiler Pan and Insert | Included |
| 3"-High Bottom Trim: S – PN# 903114-9020 | Optional |
| 10'-Long Armored Power Cable – PN# 903056-9010 | Optional |

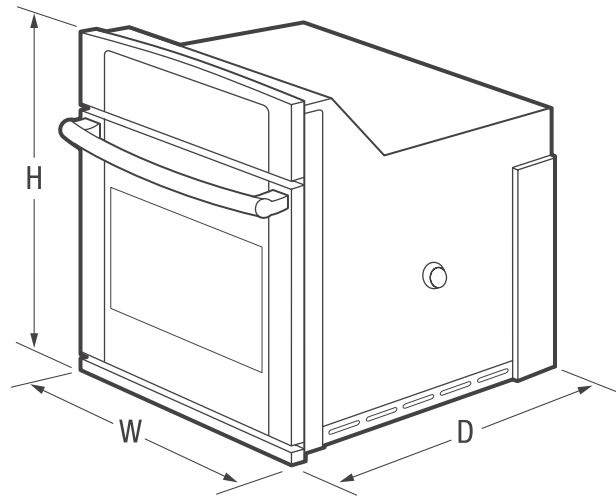
SPECIFICATIONS

| | |
|--|------------------|
| Color – | |
| Stainless Steel | S |
| Power Supply Connection Location | Left Bottom Rear |
| Connected Load (kW Rating) @ 240/208 Volts | 4.0/3.1 |
| Amps @ 240/208 Volts | 16.7/14.9 |
| Minimum Circuit Required (Amps) | 20 |
| 3-1/2'-Long Armored Electrical Cable | Included |
| Approved for Under-Counter Installation** | Yes |
| Shipping Weight (Approx.) | 150 Lbs. |

*When properly installed, this model is A.D.A.-qualified based on the United States Access Board's A.D.A./A.B.A. Accessibility Guidelines and the Department of Justice's 2010 A.D.A. Standards for Accessible Design.

**Single Wall Oven is approved to be used beneath Electrolux gas cooktop models EW30GC601, EW30GC55G, EW36GC55G, EW30GC55P and EW30GC60P; and electric cooktop models E130EC45K, E136EC45K, EW30IC60L, EW36IC60L, EW30CC55G and EW36CC55G.

NOTE: Always consult local and national electric codes. Refer to Product Installation Guide for detailed installation instructions on the web at electroluxappliances.com. Specifications subject to change.



PRODUCT DIMENSIONS

| | |
|--|--------------------|
| Height (Including 1" Bottom Trim) | 29" |
| Width | 27" |
| Depth (to Front Door Corner) (with 90° Door Open) | 24-3/4" 45-3/4" |

OVEN CAVITY DIMENSIONS

| | |
|--------|---------|
| Height | 17" |
| Width | 20-1/2" |
| Depth | 19-1/2" |

Electrolux Major Appliances, N.A.

USA • 10200 David Taylor Drive • Charlotte, NC 28262 • 1-877-4electrolux (1-877-435-3287) • electroluxappliances.com
 CANADA • 5855 Terry Fox Way • Mississauga, ON L5V 3E4 • 1-800-265-8352 • electroluxappliances.ca

EW27EW55P 09/17

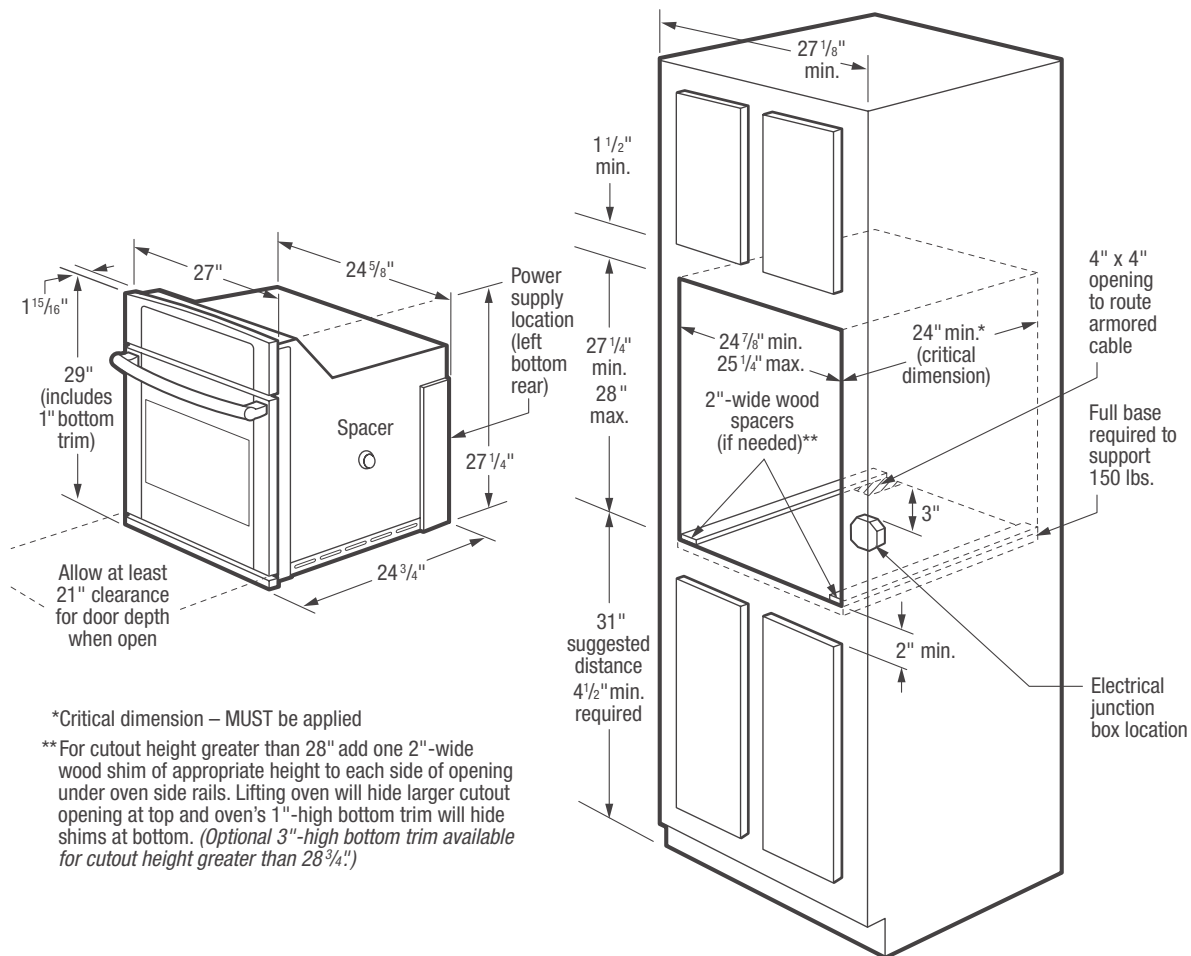
© 2017 Electrolux Home Products, Inc.



High standards of quality at Electrolux Home Products, Inc. mean we are constantly working to improve our products. We reserve the right to change specifications or discontinue models without notice.

SINGLE WALL OVEN

EW27EW55PS



*Critical dimension – MUST be applied

** For cutout height greater than 28" add one 2"-wide wood shim of appropriate height to each side of opening under oven side rails. Lifting oven will hide larger cutout opening at top and oven's 1"-high bottom trim will hide shims at bottom. (Optional 3"-high bottom trim available for cutout height greater than 28 3/4")

27" Electric Single Wall Oven Specifications

- Product Weight – 132 Lbs.
- Single phase 3- or 4-wire cable, 120 /240 or 120/208 Volt, 60 Hertz AC only electrical supply with ground required on separate circuit fused on both sides of line.
- Connected Load (kW Rating) @ 240/208 Volts = 4.0/3.1 kW
- Amps @ 240/208 Volts = 16.7 /14.9 Amps
- Recommended Circuit Breaker – 20 Amps
- Always consult local and national electric codes.
- Minimum 21" clearance for oven door depth when open.
- Suggested distance from floor is 31". Minimum required distance is 4-1/2".
- Minimum 24" deep cutout dimension is critical for proper installation, to ensure that oven's faceplate will fit flush against cabinet front.
- For cutout height greater than 28" add one 2"-wide wood shim of appropriate height to each side of opening under oven side rails. Lifting oven will hide larger cutout opening at top and oven's 1"-high bottom trim will hide shims at bottom. (Standard 1"-High Bottom Trim included. Optional 3"-High Bottom Trim available for cutout height greater than 28-3/4".)
- Full oven base of solid plywood or similar material required, capable of supporting 150 Lbs.
- Base must be level and cabinet front must be square.

- Single Wall Ovens are NOT approved to be used in stackable or side-by-side installation.
- Single Wall Ovens are approved to be used alone in under-counter installation or beneath Electrolux gas cooktop models EW30GC60I, EW30GC55G, EW36GC55G, EW30GC55P and EW30GC60P; and electric cooktop models EI30EC45K, EI36EC45K, EW30IC60L, EW36IC60L, EW30CC55G and EW36CC55G. (Refer to Gas or Electric Cooktop Installation Over 30"/ 27" Electric Single Wall Oven Specifications pages on web.)
- Single Wall Ovens are approved to be used in combination with any Electrolux Warmer Drawer. (Refer to model-specific Warmer Drawer product page for Combination Installation Specifications.)
- Single Wall Ovens are approved to be used in combination with any Electrolux Built-In Microwave Oven. (Refer to model-specific Combination Installation Specifications pages on web.)

Note: For planning purposes only. Refer to Product Installation Guide on the web at electroluxappliances.com for detailed instructions.

Optional Accessories

- 3"-High Bottom Trim: S – (PN# 903114-9020).
- 10'-Long Armored Power Cable – (PN# 903056-9010).

Electrolux Major Appliances, N.A.

USA • 10200 David Taylor Drive • Charlotte, NC 28262 • 1-877-4electrolux (1-877-435-3287) • electroluxappliances.com
CANADA • 5855 Terry Fox Way • Mississauga, ON L5V 3E4 • 1-800-265-8352 • electroluxappliances.ca

EW27EW55P 09/17

© 2017 Electrolux Home Products, Inc.



High standards of quality at Electrolux Home Products, Inc. mean we are constantly working to improve our products. We reserve the right to change specifications or discontinue models without notice.