

Double Wall Oven

EW27EW65GS

Featuring Wave-Touch® Electronic Controls



Perfect Turkey® Button¹

Ensures moist, delicious poultry. Imagine stress-free holiday cooking.



Luxury-Glide® Oven Racks

With a ball bearing system, oven racks are so smooth they extend effortlessly.



Perfect Convection³

Our convection technology features a third convection element for consistently even results, up to 30% faster cooking times and even more baking options.



Wave-Touch® Controls

One simple touch and the control panel activates, showing the virtually endless cooking options. After you make your choice, all but the option selected will fade away, returning to an elegant display.

27" ELECTRIC DOUBLE WALL OVEN

Configuration	Double
---------------	--------

Control Panel Features

Wave-Touch® Electronic Oven Controls	Yes
Keypad Entry of Time & Temperature	Yes
Electronic Clock & Timer	Yes
Temperature Display	Yes
Toggle Control	Yes
Automatic Oven (Delay, Cook & Off)	Yes
Lockout	Yes
Automatic Oven Shutoff – 12 Hour	Yes
Programmable for °F or °C	Yes
Luxury-Design® Halogen Oven Light Touch Pad	Yes

Oven Features

Oven Cavity (both ovens)	3.5 Cu. Ft.
Hidden Bake Element	Yes
Electric Bake Element – 1450 Watts	Yes
Six-Pass Broil Element – 3400 Watts	Yes
Convection Element – 2500 Watts	Yes
Cobalt Blue Interior	Yes
Self-Clean Options with Door Lock	3
Perfect Convection ³ with Variable 2-Speed Fans	Yes
Cooking Modes – Bake, Broil, Convection Bake, Convection Roast, Convection Broil, Keep Warm, Slow Cook	7

Baking Options – Perfect Turkey®, Defrost, Dehydrate, Bread Proof, My Favorites, Multi-Stage Cooking, Temperature Probe, Rapid Preheat, Delay Bake, Convection Convert	10
Luxury-Design® Lighting with Dual 40W Halogen Bulbs	Yes
Luxury-Glide® Racks	2
Conventional Racks	1
Convection Roasting Rack	Yes

Additional Features

Signature Soft-Arc Oven Door and Handle Design	Yes
Luxury-Hold™ Oven Doors	Yes
Extra-Large Glass Windows	Yes
Sabbath Mode (Star-K® Certified)	Yes

Accessories

Porcelain Broiler Pan and Insert	Included
3"-high Bottom Trim: S – PN# 903114-9020	Optional

Specifications

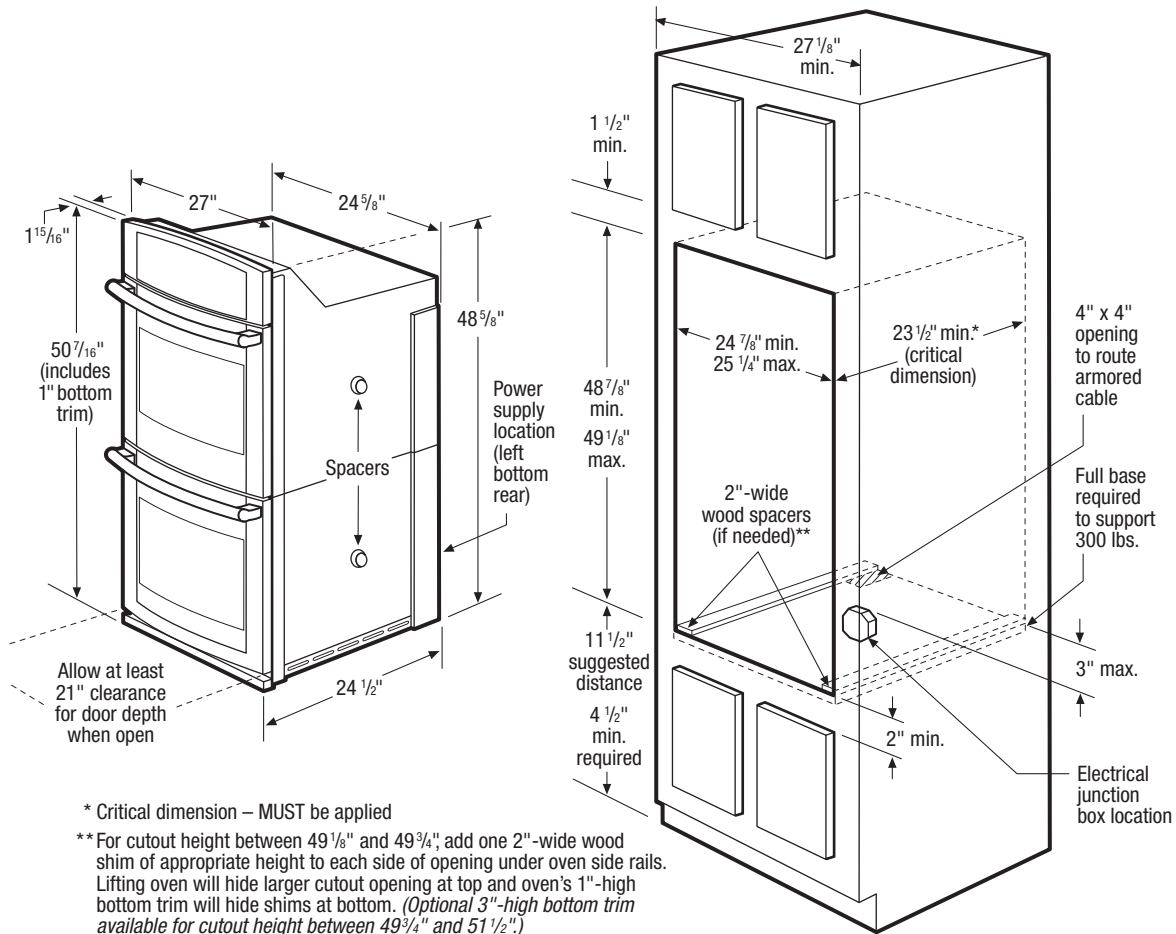
Color – Stainless Steel	S
Oven Cavity Dimensions – Height	16-1/2"
Width	20-1/2"
Depth	18-1/32"
Product Dimensions – Height (Including 1" Bottom Trim)	50-7/16"
Width	27"
Depth (to Front Door Corner) (with 90° Door Open)	24-1/2" 45-1/2"
Power Supply Connection Location	Left Bottom Rear
Connected Load (kW Rating) @ 240/208 Volts	6.8/5.1
Amps @ 240/208 Volts	28.3/24.5
Minimum Circuit Required (Amps)	40
Armored Electrical Cable	Included
Shipping Weight (Approx.)	320 Lbs.

NOTE: Always consult local and national electric codes. Refer to Product Installation Guide for detailed installation instructions on the web at electroluxappliances.com.
Specifications subject to change.

¹Select models only.

Double Wall Oven

EW27EW65GS



27" Electric Double Wall Oven Specifications

- Product Weight – 300 Lbs.
- Single phase 3- or 4-wire cable, 120/240 or 120/208 Volt, 60 Hertz AC only electrical supply with ground required on separate circuit fused on both sides of line.
- Connected Load (kW Rating) @ 240/208 Volts = 6.8/5.1 kW
- Amps @ 240/208 Volts = 28.3/24.5 Amps
- Recommended Circuit Breaker – 40 Amps
- Always consult local and national electric codes.
- Minimum 21" clearance for oven door depth when open.
- Suggested distance from floor is 11-1/2". Minimum required distance is 4-1/2".
- Minimum 23-1/2" deep cutout dimension is critical for proper installation, to ensure that oven's faceplate will fit flush against cabinet front.
- To adapt oven to fit cutout height between 49-1/8" and 49-3/4", add one 2"-wide wood shim of appropriate height to each side of opening under oven side rails. Lifting oven will hide larger cutout opening at top and oven's 1"-high bottom trim will hide shims at bottom. (Standard 1"-High Bottom Trim included.)

- To adapt oven to fit cutout height between 49-3/4" and 51-1/2", optional 3"-High Bottom Trim available.
- Full oven base of solid plywood or similar material required, capable of supporting 300 Lbs.
- Base must be level and cabinet front must be square.
- Double Wall Ovens are NOT approved to be used in stackable or side-by-side installation.

Note: For planning purposes only. Refer to Product Installation Guide on the web at electroluxappliances.com for detailed instructions.

Optional Accessories

- 3"-High Bottom Trim: S – (PN# 903114-9020).

Electrolux Major Appliances, N.A.

USA • 10200 David Taylor Drive • Charlotte, NC 28262 • 1-877-4electrolux (1-877-435-3287) • electroluxappliances.com
 CANADA • 5855 Terry Fox Way • Mississauga, ON L5V 3E4 • 1-800-265-8352 • electroluxappliances.ca

EW27EW65G 01/14

© 2014 Electrolux Home Products, Inc.



High standards of quality at Electrolux Home Products, Inc. mean we are constantly working to improve our products. We reserve the right to change specifications or discontinue models without notice.