

# DOUBLE WALL OVEN

EW27EW65PS

Featuring Wave-Touch® Electronic Controls



## PRODUCT DIMENSIONS

Height (Including 1" Bottom Trim)	50-7/16"
Width	27"
Depth	24-3/4"

## MORE EASY-TO-USE FEATURES

### FRESH CLEAN™ TECHNOLOGY

Exclusive Fresh Clean™ self-cleaning technology virtually eliminates odors and smoke to keep the room smelling fresh.

### SELF-CLEANING PORCELAIN RACKS

Bake, roast, broil, savor — the cleaning's on us. Our porcelain racks are safe to stay inside of the oven during the self-clean cycle, eliminating the mess and inconvenience of removing and cleaning racks by hand.

### LARGE CAPACITY

Coordinate an entire meal — our ovens feature 3.9 cu. ft. of cooking space with three adjustable baking racks.

### FLAT OVEN DOOR DESIGN

Our unique flat oven door is sleekly designed with fewer bumps and ridges — so it not only looks great but is easier to clean.

### LUXURY-GLIDE® OVEN RACKS

With a ball bearing system, the oven racks are so smooth they extend effortlessly.

### PERFECT FIT PROMISE

Find the perfect Electrolux wall oven for your space using a convenient online tool.

### FAST PREHEAT

Savor sooner, with Fast Preheat.

### PRECISE BAKING OPTIONS

Includes Perfect Turkey®, Defrost, Dehydrate, Bread Proof, My Favorites, Multi-Stage Cooking, Temperature Probe, Fast Preheat, Delay Bake and Convection Convert.

### WAVE-TOUCH® CONTROLS

One simple touch and the control panel activates, showing your cooking options. After you make your choice, all but the options selected will fade away, returning to an elegant display.

### PLATINUM STAR® LIMITED WARRANTY

Our exclusive limited warranty that includes a 3-year coverage on parts and one year on labor without charge.<sup>1</sup>

Available in:



Stainless  
(S)

## SIGNATURE FEATURES



### PERFECT TASTE™ CONVECTION

For consistently delicious taste and texture, home chefs rely on our convection heat, which circulates air evenly with two variable speeds that work in tandem with three heating elements.



### PERFECT TASTE™ TEMP PROBE

The Perfect Taste™ Temp Probe does more than measure temperature — it keeps an active eye on your dishes by alerting you when food is at the peak of perfection and automatically adjusting to the Keep Warm setting.



### MULTI-STAGE COOKING

Create great taste with ease. With Multi-Stage Cooking, an Electrolux oven is a built-in sous chef, helping you conquer delicious by adjusting between seven professionally inspired cooking modes, including Bake, Broil, Convection Bake, Convection Roast, Convection Broil, Keep Warm and Slow Cook.



### PERFECT TURKEY®

New and improved Perfect Turkey® button works to precisely time and coordinate three convection modes — bake, broil, and roast — for turkey that is crispy on the outside and juicy on the inside. It even counts down the time remaining, so all dishes can be set to come out at the same time.

<sup>1</sup>Eligibility based on product registration with Electrolux North America within 60 days of purchase.

# DOUBLE WALL OVEN

EW27EW65PS



## 27" ELECTRIC DOUBLE WALL OVEN

Configuration	Double
---------------	--------

### CONTROL PANEL FEATURES

Wave-Touch® Electronic Oven Controls	Yes
Keypad Entry of Time & Temperature	Yes
Electronic Clock & Timer	Yes
Temperature Display	Yes
Toggle Control	Yes
Automatic Oven (Delay, Cook & Off)	Yes
Lockout	Yes
Automatic Oven Shutoff – 12 Hour	Yes
Programmable for °F or °C	Yes
Luxury-Design® Halogen Oven Lights/Touch Pad On/Off	Yes

### OVEN FEATURES

Oven Cavity (both ovens)	3.9 Cu. Ft.
Hidden Bake Element	Yes
Electric Bake Element – 1450 Watts	Yes
Six-Pass Broil Element – 3400 Watts	Yes
Convection Element – 2500 Watts	Yes
Cobalt Blue Interior	Yes
Self-Clean Options with Door Lock	3
Fresh Clean™	Yes
Perfect Taste™ Convection with Variable 2-Speed Fans	Yes
Cooking Modes – Bake, Broil, Convection Bake, Convection Roast, Convection Broil, Keep Warm, Slow Cook	7
Baking Options – Perfect Turkey®, Defrost, Dehydrate, Bread Proof, My Favorites, Multi-Stage Cooking, Temperature Probe, Fast Preheat, Delay Bake, Convection Convert	10
Luxury-Design® Lighting with Dual 40W and Dual 25W Halogen Bulbs	Yes
Luxury-Glide® Racks	1
Conventional Racks	2
Convection Roasting Rack	Yes

### ADDITIONAL FEATURES

Signature Soft-Arc Handle Design	Yes
Flat Oven Door Design	Yes
Extra-Large Glass Windows	Yes
Sabbath Mode (Star-K® Certified)	Yes

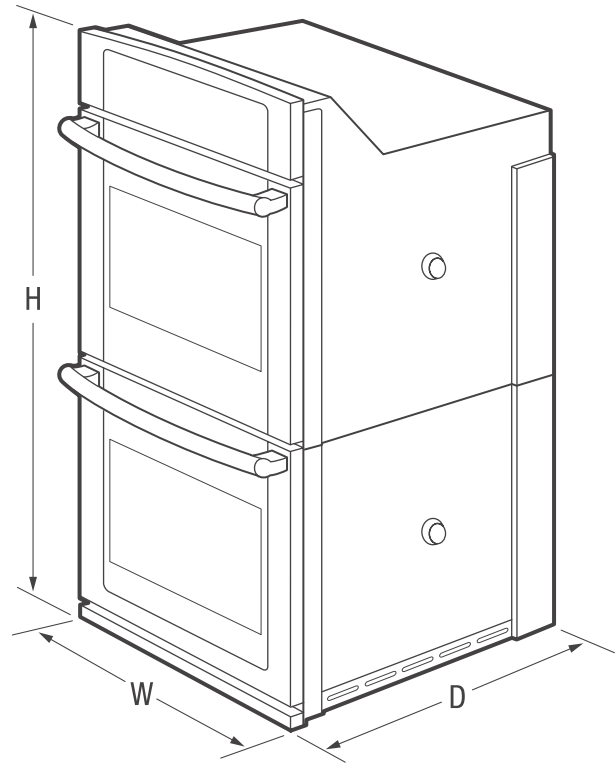
### ACCESSORIES

Porcelain Broiler Pan and Insert	Included
3" High Bottom Trim: S – PN# 903114-9020	Optional
10' Long Armored Power Cable – PN# 903056-9010	Optional

### SPECIFICATIONS

Color – Stainless Steel	S
Power Supply Connection Location	Left Bottom Rear
Connected Load (kW Rating) @ 240/208 Volts	8.0/6.0
Amps @ 240/208 Volts	33.3/28.8
Minimum Circuit Required (Amps)	40
3-1/2'-Long Armored Electrical Cable	Included
Shipping Weight (Approx.)	260 Lbs.

NOTE: Always consult local and national electric codes. Refer to Product Installation Guide for detailed installation instructions on the web at [electroluxappliances.com](http://electroluxappliances.com). Specifications subject to change.



### PRODUCT DIMENSIONS

Height (Including 1" Bottom Trim)	50-7/16"
Width	27"
Depth (to Front Door Corner)	24-3/4"
Depth (with 90° Door Open)	45-3/4"

### OVEN CAVITY DIMENSIONS

Height	17"
Width	20-1/2"
Depth	19-1/2"

## Electrolux Major Appliances, N.A.

USA • 10200 David Taylor Drive • Charlotte, NC 28262 • 1-877-4electrolux (1-877-435-3287) • [electroluxappliances.com](http://electroluxappliances.com)  
 CANADA • 5855 Terry Fox Way • Mississauga, ON L5V 3E4 • 1-800-265-8352 • [electroluxappliances.ca](http://electroluxappliances.ca)

EW27EW65P 12/16

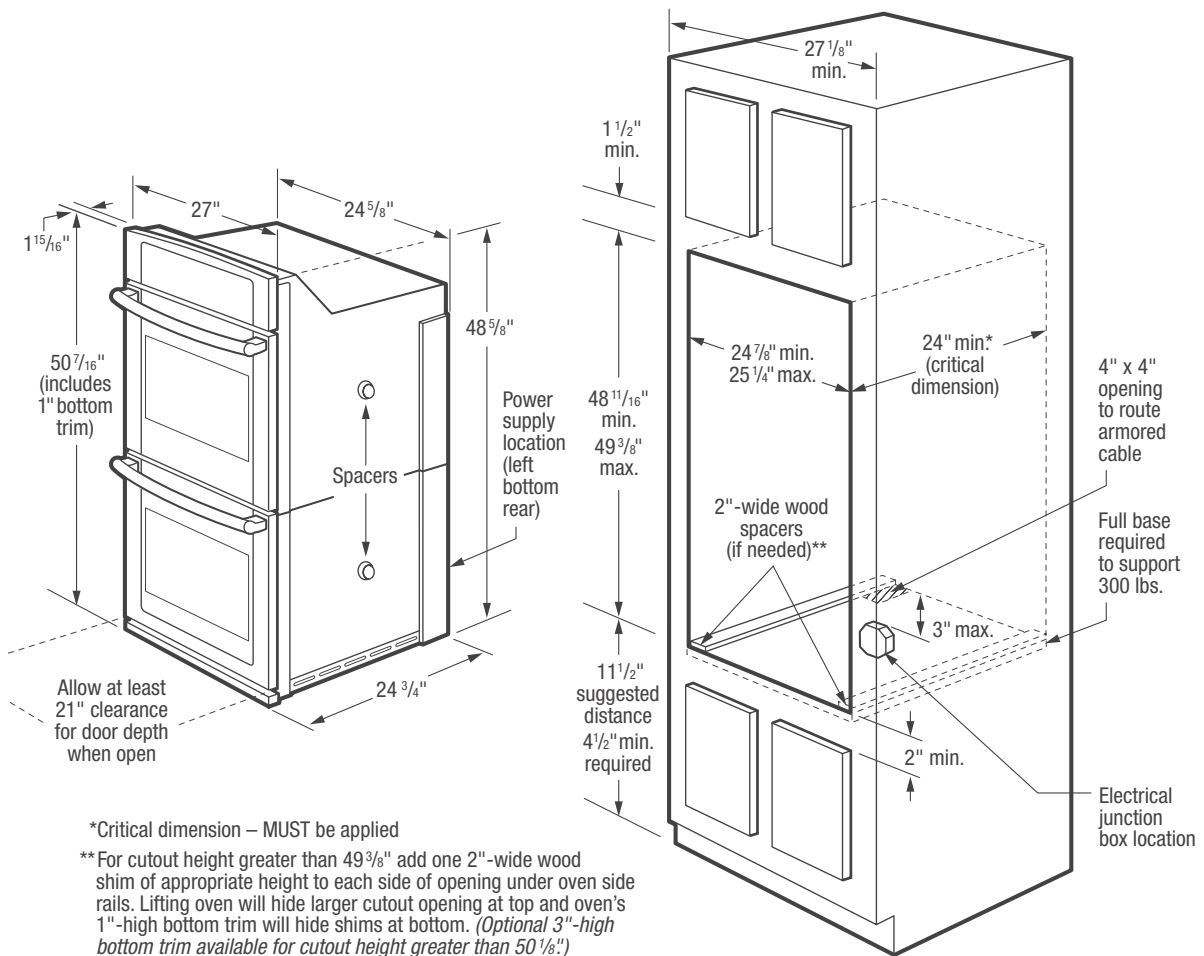
© 2016 Electrolux Home Products, Inc.



High standards of quality at Electrolux Home Products, Inc. mean we are constantly working to improve our products. We reserve the right to change specifications or discontinue models without notice.

# DOUBLE WALL OVEN

EW27EW65PS



## 27" Electric Double Wall Oven Specifications

- Product Weight – 240 Lbs.
- Single phase 3- or 4-wire cable, 120 /240 or 120/208 Volt, 60 Hertz AC only electrical supply with ground required on separate circuit fused on both sides of line.
- Connected Load (kW Rating) @ 240/208 Volts = 8.0/6.0 kW
- Amps @ 240/208 Volts = 33.3/28.8 Amps
- Recommended Circuit Breaker – 40 Amps
- Always consult local and national electric codes.
- Minimum 21" clearance for oven door depth when open.
- Suggested distance from floor is 11-1/2". Minimum required distance is 4-1/2".
- Minimum 24" deep cutout dimension is critical for proper installation, to ensure that oven's faceplate will fit flush against cabinet front.
- For cutout height greater than 49-3/8" add one 2"-wide wood shim of appropriate height to each side of opening under oven side rails. Lifting oven will hide larger cutout opening at top and oven's 1"-high bottom trim will hide shims at bottom. (Standard 1"-High Bottom Trim included. Optional 3"-High Bottom Trim available for cutout height greater than 50-1/8".)

- Full oven base of solid plywood or similar material required, capable of supporting 300 Lbs.
- Base must be level and cabinet front must be square.
- Double Wall Ovens are NOT approved to be used in stackable or side-by-side installation.

**Note: For planning purposes only. Refer to Product Installation Guide on the web at [electroluxappliances.com](http://electroluxappliances.com) for detailed instructions.**

### Optional Accessories

- 3"-High Bottom Trim: S – (PN# 903114-9020).
- 10'-Long Armored Power Cable – (PN# 903056-9010).

## Electrolux Major Appliances, N.A.

USA • 10200 David Taylor Drive • Charlotte, NC 28262 • 1-877-4electrolux (1-877-435-3287) • [electroluxappliances.com](http://electroluxappliances.com)  
 CANADA • 5855 Terry Fox Way • Mississauga, ON L5V 3E4 • 1-800-265-8352 • [electroluxappliances.ca](http://electroluxappliances.ca)

EW27EW65P 12/16

© 2016 Electrolux Home Products, Inc.



High standards of quality at Electrolux Home Products, Inc. mean we are constantly working to improve our products. We reserve the right to change specifications or discontinue models without notice.