

# Induction Built-In Range

EW30IS6CJS

Featuring Wave-Touch® Controls & Induction Cooktop



### More Energy-Efficient

Cooking with induction is 70% more efficient than gas and 20% more efficient than electric.



### More Responsive

Cooking with induction is more responsive than gas or electric — you can instantly adjust the heat to a delicate simmer or bring it to a quick boil.



### Exceptional Temperature Control

Adjust heat with greater accuracy than gas or electric cooktops, especially at lower settings. Perfect for melting chocolate and cooking delicate foods and sauces.



### Cooking Flexibility

The sensors automatically detect the presence of magnetic cookware, activate the induction field and adjust it to the exact size of the pan.

## 30" INDUCTION BUILT-IN RANGE

### Control Panel Features

|                                     |     |
|-------------------------------------|-----|
| Wave-Touch® Electronic Oven Control | Yes |
| Perfect Set® Element Controls       | Yes |
| Keypad Entry of Time & Temperature  | Yes |
| Electronic Clock & Timer            | Yes |
| Temperature Display                 | Yes |
| Automatic Oven (Delay, Cook & Off)  | Yes |

### Induction Cooktop Features

|   |     |
|---|-----|
| Ceramic Glass Smoothtop                     | Yes |
| 10" Induction Cooking Element – 2500W/3400W | 1   |
| 8" Induction Cooking Element – 2400W/3400W  | 1   |
| 7" Induction Cooking Element – 1900W/2600W  | 1   |
| 6" Induction Cooking Element – 1500W/1900W  | 1   |
| Hot-Surface Indicator Light                 | Yes |
| Surface Controls                            | Yes |

### Oven Features

|  |             |
|--|-------------|
| Capacity   | 4.2 Cu. Ft. |
| Hidden Bake Element  | Yes         |
| Eight-Pass Bake Element – 2500 Watts   | Yes         |
| Eight-Pass Broil Element – 4000 Watts  | Yes         |
| Convection Element – 2500 Watts  | Yes         |
| Cobalt Blue Interior   | Yes         |
| Self-Clean Options with Door Lock  | 3           |
| Perfect Convection® with Variable 2-Speed Fan  | Yes         |
| Cooking Modes –<br>Bake, Broil, Convection Bake, Convection Roast,<br>Convection Broil, Keep Warm, Slow Cook | 7           |

### Baking Options –

|  |    |
|--|----|
| Perfect Turkey®, Defrost, Dehydrate, Bread Proof,<br>My Favourites, Multi-Stage Cooking, Temperature Probe,<br>Rapid Preheat, Delay Bake, Convection Convert | 10 |
|--|----|

|   |     |
|---|-----|
| Luxury-Design® Lighting with Dual 40W Halogen Bulbs | Yes |
| Luxury-Glide® Racks                                 | 2   |
| Conventional Racks                                  | 1   |
| Convection Roasting Rack                            | Yes |

### Additional Features

|                                  |     |
|----------------------------------|-----|
| Luxury-Hold™ Oven Door           | Yes |
| Extra-Large Glass Window         | Yes |
| Perfect Pair Lower Oven®         | Yes |
| Adjustable Leveling Legs         | Yes |
| Sabbath Mode (Star-K® Certified) | Yes |

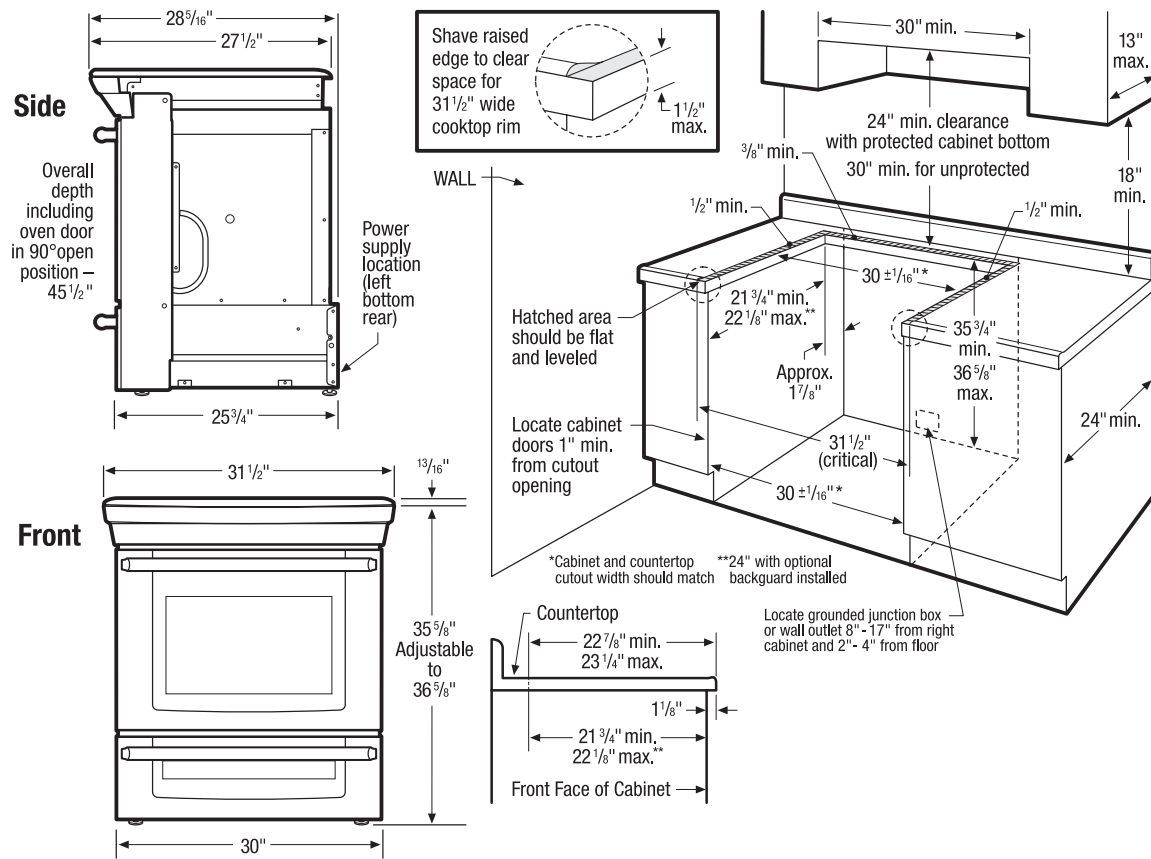
### Accessories

|   |          |
|---|----------|
| Porcelain Broiler Pan and Insert  | Included |
| Cleaning Sponge   | Included |
| 2" Rear Filler Kit, Side Panel Kit, Backguard Kit,<br>Side Trim Kit – See Back for Part Numbers | Optional |

### Specifications

|  |                     |
|--|---------------------|
| Colour –<br>Stainless Steel                      | S                   |
| Oven Cavity Dimensions –                         |                     |
| Height   | 16-1/2"             |
| Width  | 24-1/8"             |
| Depth  | 18-1/32"            |
| Product Dimensions –                             |                     |
| Height (Adjustable)                              | 35-5/8" – 36-5/8"   |
| Width  | 30"                 |
| Depth (to Center of Arc)<br>(with 90° Door Open) | 28-5/16"<br>45-1/2" |
| Power Supply Connection Location                 | Left Bottom Rear    |
| Connected Load (kW Rating) @ 240/208 Volts       | 13.2/9.9            |
| Amps @ 240/208 Volts                             | 55/48               |
| Minimum Circuit Required (Amps)                  | 50                  |
| Shipping Weight (Approx.)                        | 258 Lbs.            |

NOTE: Always consult local and national electric codes. Refer to Product Installation Guide for detailed installation instructions on the web at [electroluxappliances.ca](http://electroluxappliances.ca). Specifications subject to change.



### 30" Induction Built-In Range Specifications

- Product Weight – 238 Lbs.
- Single phase 3- or 4-wire cable, 120/240 or 120/208 Volt, 60 Hertz, fused on both sides of line with ground. (If local code permits, range may be connected by hard-wiring or by means of power supply cord kit.)
- Connected Load (kW Rating) @ 240/208 Volts = 13.2/9.9 kW
- Amps @ 240/208 Volts = 55/48 Amps
- Recommended Circuit Breaker – 50 Amps
- Always consult local and national electric codes.
- Countertop MUST be level in all directions and adjustable range height at least 1/16" greater than tallest cabinet height, to ensure metal rangetop flange will fit properly on countertop edge.
- When installing optional Backguard Kit, cutout depth of 21-3/4" minimum / 22-1/8" maximum needs increased to 24".
- Overhead cabinetry should not exceed a 13" maximum depth.
- Absolute minimum horizontal distance between overhead cabinets installed to either side of appliance must be no less than maximum width of appliance.
- Allow 24" minimum clearance between rangetop and bottom of cabinet when bottom of wood or metal cabinet is protected by not less than 1/4" flame-retardant millboard covered with not less than No. 28 MGS sheet steel, 0.015" stainless steel, 0.024" aluminum or 0.020" copper. Allow 30" minimum clearance when cabinet is unprotected.
- To reduce risk of fire when using overhead cabinetry, install range hood that projects horizontally a recommended minimum of 5" beyond bottom of cabinets.
- When installing range into existing cutout depth greater than 22-1/8", optional 2" Rear Filler Kit available.

### Countertop Preparation

- For detailed preparation instructions, refer to installation guide on the web.
- Flat square-finish (flat) countertop requires no preparation since rangetop flange lays directly on countertop edge.
  - Formed front-edged countertops require front molded edge to be shaved flat 3/4" from each front corner of opening.
  - Tile countertops may need cut back 3/4" from each front corner of opening and/or rounded edge flattened.
  - For existing cutout width greater than 30-1/16" reduce the 3/4" overlap dimension or for cutout width of 29", replace actual side trim panels with smaller side trim panels, available with optional Side Trim Kit (refer to detailed kit installation instructions).

**Note:** For planning purposes only. Refer to Product Installation Guide on the web at [electroluxappliances.ca](http://electroluxappliances.ca) for detailed instructions.

### Optional Accessories

- 2" Rear Filler Kit: S – (PN# 903113-901S).
- Side Panel Kit: S – (PN# 903102-901S).
- Backguard Kit: S – (PN# 903111-901S).
- Side Trim Kit: S – (PN# 903110-901S).