



## **Installation, Use & Care Guide**

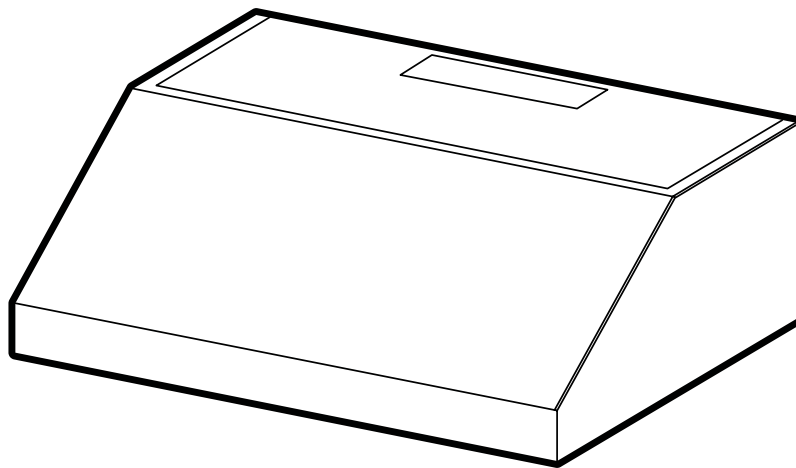
30"(76.2 cm) and 36"(91.4 cm) Range Hood

## **Guide d'installation, utilisation et d'entretien**

30"(76.2 cm) et 36"(91.4 cm) Hotte de la Cuisiniere

## **Guia de Instalación, Uso y Cuidado**

Campana de cocina de 30"(76.2 cm) y 36"(91.4 cm)



 **Electrolux**

## Please read and save this guide

---

Thank you for choosing **Electrolux**, the new premium brand in home appliances. This Use & Care Guide is part of our commitment to customer satisfaction and product quality throughout the service life of your new appliance.

We view your purchase as the beginning of a relationship. To ensure our ability to continue serving you, please use this page to record important product information.

## Keep a record for quick reference

---

\_\_\_\_\_

Purchase date

\_\_\_\_\_

Model number

\_\_\_\_\_

Serial number (see picture for location)

### NOTE

Registering your product with Electrolux enhances our ability to serve you. You can register online at **[www.electroluxappliances.com](http://www.electroluxappliances.com)** by dropping your Product Registration Card in the mail.

## Questions?

---

For toll-free telephone support in the U.S. and Canada:  
1-877-4 ELECTROLUX (1-877-435-3287)

For online support and Internet production information visit [http:// www.electroluxappliances.com](http://www.electroluxappliances.com)

## Table of contents

---

<b>Important Safety Instructions .....</b>	<b>3</b>
<b>List of materials.....</b>	<b>4</b>
<b>Electrical requirements .....</b>	<b>4</b>
<b>Location requirements . .....</b>	<b>6</b>
<b>Product dimensions .....</b>	<b>6</b>
<b>Venting Requirements.....</b>	<b>7</b>
<b>Venting methods.....</b>	<b>7</b>
<b>Range hood installation.....</b>	<b>8</b>
<b>Electrical Connection.....</b>	<b>10</b>
<b>Description of the hood &amp; controls.....</b>	<b>10</b>
<b>Maintenance.....</b>	<b>11</b>
<b>Warranty Information.....</b>	<b>12</b>

---

## Important Safety Instructions

**Read all instructions before using this appliance.**

**Save these instructions for future references**

**Approved for residential appliances  
For residential use only**

Do not attempt to install or operate your appliance until you have read the safety precautions in this manual. Safety items throughout this manual are labeled with a WARNING or CAUTION based on the risk type.



### **WARNING**

This symbol alerts you to situations that may cause serious body harm, death or property damage.



### **CAUTION**

This symbol alerts you to situations that may cause bodily injury or property damage.

---

PLEASE READ ENTIRE INSTRUCTIONS BEFORE PROCEEDING.

INSTALLATION MUST COMPLY WITH ALL LOCAL CODES.

IMPORTANT: Save these Instructions for the Local Electrical Inspector's use.

INSTALLER: Please leave these Instructions with this unit for the owner.

OWNER: Please retain these instructions for future reference.

Safety Warning: Turn off power circuit at service panel and lock out panel, before wiring this appliance.

Requirement: 120 V AC, 60 Hz. 15 or 20 A Branch Circuit

---

## READ AND SAVE THESE INSTRUCTIONS

### Important safety Instructions

#### CAUTION

FOR GENERAL VENTILATING USE ONLY. DO NOT USE TO EXHAUST HAZARDOUS OR EXPLOSIVE MATERIALS OR VAPORS.

#### WARNING

TO REDUCE THE RISK OF FIRE, ELECTRIC SHOCK, OR INJURY TO PERSONS, OBSERVE THE FOLLOWING:

- A. Use this unit only in the manner intended by the manufacturer. If you have questions, contact the manufacturer
- B. Before servicing or cleaning the unit, switch power off at service panel and lock service panel disconnecting means to prevent power from being switched on accidentally. When the service disconnecting means cannot be locked, securely fasten a prominent warning device, such as a tag, to the service panel.
- C. Installation Work and Electrical Wiring Must Be Done By Qualified Person(s) In Accordance With all Applicable Codes & Standards, Including Fire-rated Construction.
- D. Sufficient air is needed for proper combustion and exhausting of gases through the flue (Chimney) of fuel burning equipment to prevent back-drafting. Follow the heating equipment manufacturers guideline and safety standards such as those published by the National Fire Protection Association (NFPA), the American Society for Heating, Refrigeration and Air Conditioning Engineers (ASHRAE), and the local code authorities.
- E. When cutting or drilling into wall or ceiling, do not damage electrical wiring and other hidden utilities.
- F. Ducted systems must always be vented to the outdoors.

#### CAUTION

To reduce risk of fire and to properly exhaust air, be sure to duct air outside - do not vent exhaust air into spaces within walls, ceilings, attics, crawl spaces, or garages.

#### WARNING

TO REDUCE THE RISK OF FIRE, USE ONLY METAL DUCT WORK.

Install this hood insert in accordance with all requirements specified.

#### WARNING

To Reduce The Risk Of Fire Or Electric Shock, Do Not Use This Hood Insert With Any External Solid State Speed Control Device.

#### WARNING

TO REDUCE THE RISK OF A RANGE TOP GREASE FIRE:

- a) Never leave surface units unattended at high settings. Boilovers cause smoking and greasy spillovers that may ignite. Heat oils slowly on low or medium settings.
- b) Always turn hood ON when cooking at high heat or when flambing food (i.e. Crepes Suzette, Cherries Jubilee, Peppercorn Beef Flambe').
- c) Clean ventilating fans frequently. Grease should not be allowed to accumulate on fan or filter.
- d) Use proper pan size. Always use cookware appropriate for the size of the surface element.

#### WARNING

TO REDUCE THE RISK OF INJURY TO PERSONS, IN THE EVENT OF A RANGE TOP GREASE FIRE, OBSERVE THE FOLLOWING:

- a) SMOTHER FLAMES with a close-fitting lid, cookie sheet, or other metal tray, then turn off the gas burner or the electric element. BE CAREFUL TO PREVENT BURNS. If the flames do not go out immediately, EVACUATE AND CALL THE FIRE DEPARTMENT.
- b) NEVER PICK UP A FLAMING PAN - you may be burned.
- c) DO NOT USE WATER, including wet dishcloths or towels - a violent steam explosion will result.
- d) Use an extinguisher ONLY if:
  - 1) You know you have a class ABC extinguisher, and you already know how to operate it.
  - 2) The fire is small and contained in the area where it started.
  - 3) The fire department is being called.
  - 4) You can fight the fire with your back to an exit.

#### OPERATION

Always leave safety grills and filters in place. Without these components, operating blowers could catch onto hair, fingers and loose clothing.

The manufacturer declines all responsibility in the event of failure to observe the instructions given here for installation, maintenance and suitable use of the product.

The manufacturer further declines all responsibility for injury due to negligence and the warranty of the unit automatically expires due to improper maintenance.

## List of Materials

### CAUTION!

Remove carton carefully. Wear gloves to protect against sharp edges.

### Parts supplied with unit for the installation

- Hood canopy assembly with blower.
- Lamp already installed.
- Transition (3¼" x 10" rectangular)
- Grease filter.
- Hardware bag with:
  - Use and Care / Installation Manual
  - 3- 4x8 screws (to assemble Transition)
  - 6- 4,5x13 screws
  - 4- 10x50 screws
  - Torx 20 Adapter

Remove the protective film covering the product before putting into operation.

### Tools/Materials required

- Wire nuts
- Metal duct length to suit installation
- ½" Romex wire connector
- Measuring tape
- Pliers
- Gloves
- Knife
- Safety glasses
- Electric drill with 5/16" and 3/8" Bits
- Spirit level
- Duct tape
- Screwdrivers:
  - Phillips (Posidrive) #2
  - Torx # 2
- Wire cutter/stripper
- Masking tape
- Hammer
- Saw, jigsaw or reciprocating saw

## Electrical Requirements

Observe all governing codes and ordinances.

Ensure that the electrical installation is adequate and in conformance with National Electrical Code, ANSI/NFPA 70 (latest edition), or CSA Standards C22.1-94, Canadian Electrical Code, Part 1 and C22.2 No. 0-M91 (latest edition) and all local codes and ordinances.

If codes permit and a separate ground wire is used, it is recommended that a qualified electrician determine that the ground path is adequate.

A copy of the above code standards can be obtained from:

National Fire Protection Association  
One Batterymarch Park  
Quincy, MA 02269  
CSA International  
8501 East Pleasant Valley Road  
Cleveland, OH 44131-5575

- A 120 volt, 60 Hz., AC only, 15-amp, fused electrical circuit is required.
- If the house has aluminum wiring, follow the procedure below:
  1. Connect a section of solid copper wire to the pigtail leads.
  2. Connect the aluminum wiring to the added section of copper wire using special connectors and/or tools designed and UL listed for joining copper to aluminum.

Follow the electrical connector manufacturer's recommended procedure. Aluminum/copper connection must conform with local codes and industry accepted wiring practices.

- Wire sizes and connections must conform with the rating of the appliance as specified on the model/serial rating plate. The model/serial plate is located behind the filter on the top wall by the electrical box.
- Wire sizes must conform to the requirements of the National Electrical Code, ANSI/NFPA 70 (latest edition), or CSA Standards C22.1-94, Canadian Electrical Code, Part 1 and C22.2 No. 0-M91 (latest edition) and all local codes and ordinances.

## Location Requirements

**IMPORTANT:** Observe all governing codes and ordinances. Have a qualified technician install the hood insert. It is the installer's responsibility to comply with installation clearances specified on the model/serial rating plate. The model/serial rating plate is located behind the left filter on the rear wall of the hood insert.

The range hood location should be away from strong draft areas, such as windows, doors and strong heating vents.

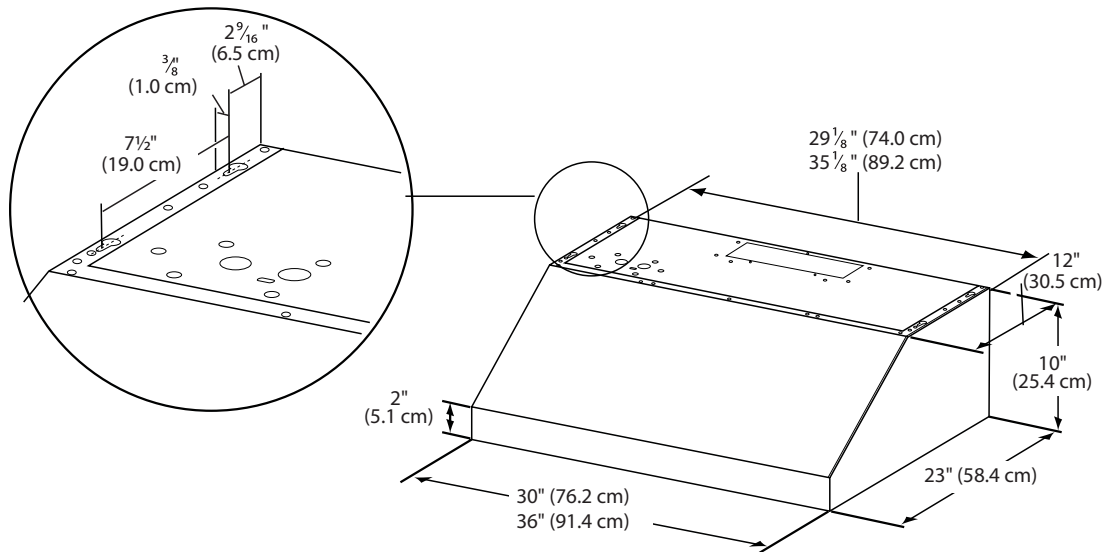
Grounded electrical outlet is required.

All openings in ceiling and wall where range hood will be installed must be sealed.

### For Mobile Home Installations

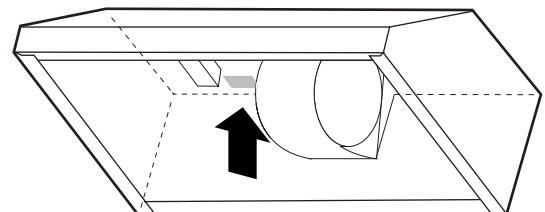
The installation of this hood insert must conform to the Manufactured Home Construction Safety Standards, Title 24 CFR, Part 328 (formerly the Federal Standard for Mobile Home Construction and Safety, Title 24, HUD, Part 280) or when such standard is not applicable, the standard for Manufactured Home Installation 1982 (Manufactured Home Sites, Communities and Setups) ANSI A225.1/NFPA 501A, or latest edition, or with local codes.

## Product dimensions



### Serial Plate Location

- Remove the grease filters.
- The rating plate is located behind the filter by the electrical box.



## Venting Requirements

- Vent system must terminate to the outdoors.
- Do not terminate the vent system in an attic or other enclosed area.
- Do not use 4" (10.2 cm) laundry-type wall caps.
- Use metal vent only. Rigid metal vent is recommended. Plastic or metal foil vent is not recommended.
- The length of vent system and number of elbows should be kept to a minimum to provide efficient performance.

### For the most efficient and quiet operation:

- Use no more than three 90° elbows.
- Make sure there is a minimum of 24" (61.0 cm) of straight vent between the elbows if more than 1 elbow is used.
- Do not install 2 elbows together.
- Use clamps to seal all joints in the vent system and use furnace duct tape to fully seal joint connection.
- Use caulking to seal exterior wall or roof opening around the cap.
- The size of the vent should be uniform.

### Cold weather installations

An additional back draft damper should be installed to minimize backward cold air flow as part of the vent system.

A thermal break should be installed to minimize conduction of outside temperatures as part of the vent system. The damper should be on the cold air side of the thermal break.

The break should be as close as possible to where the vent system enters the heated portion of the house.

### Makeup air

Local building codes may require the use of makeup air systems when using ventilation systems greater than specified CFM of air movement. The specified CFM varies from locale to locale.

Consult your HVAC professional for specific requirements in your area.

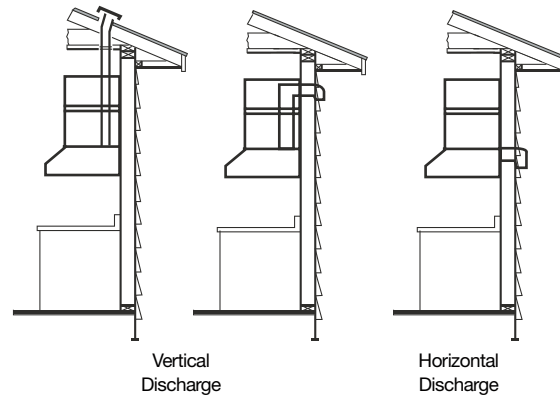
## Venting Methods

### Vent Exhaust Option

The hood is designed for vertical or horizontal discharge.

- Vertical discharge: Use a 3¼" x 10" rectangular duct.
- Horizontal discharge: Use a 3¼" x 10" rectangular duct.

NOTE: Flexible vent is not recommended. Flexible vent creates back pressure and air turbulence that greatly reduce performance. Vent system can terminate either through the roof or wall. To vent through the wall, a 90° elbow is needed.



### Preparation

Do not cut a joist or stud unless absolutely necessary. If a joist or stud must be cut, then a supporting frame must be constructed.

Fittings material is provided to secure the hood to most types of walls/ceilings.

However, a qualified technician must verify suitability of the materials in accordance with the type of wall/ceiling.

Before making cutouts, make sure there is proper clearance within the ceiling or wall for exhaust vent. Hood installation height above cooktop is the users preference. The lower the hood is above the cooktop, the more efficient the capturing of cooking odors, grease and smoke.

### CAUTION:

Mount this hood so that the bottom edge is at 30" (76.2 cm) minimum or 36" (91.4 cm) maximum above the cooking surface. Household use, please, read installation manual for specific application.

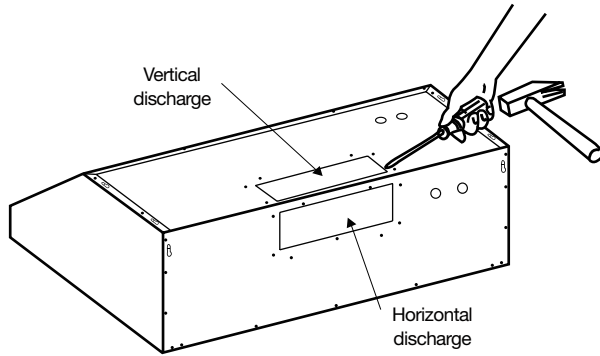
Check your ceiling height and the hood height maximum before you select your hood.

## Installation

### Installation - Ducting version

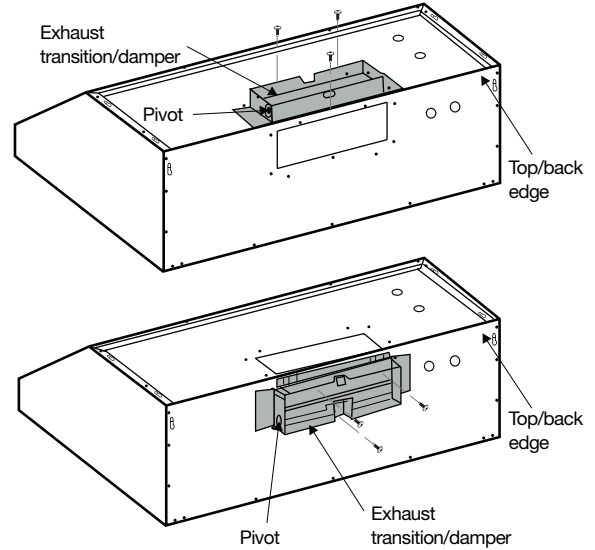
After having chosen the vent option, proceed as follows:

- Prepare duct and conduit cut outs as needed.
- If possible, disconnect and move freestanding or slide-in range from cabinet opening to provide easier access to rear wall. Otherwise put a thick, protective covering over countertop, cooktop or range to protect from damage and debris. Select a flat surface for assembling the unit. Cover that surface with a protective covering and place all canopy hood parts and hardware in it.
- Determine and mark the centerline on the wall where the canopy hood will be installed. Select a mounting height comfortable for the user and mark on wall.
- Prepare duct and conduit cut outs as needed.
- Remove the duct knockouts using a flat blade screwdriver and a small hammer. Use the screwdriver by knocking out the panel in similar fashion to a scalpel. Take care of sharp edges.



Attach exhaust adaptor/damper over knockout opening with three exhaust adaptor screws. Make sure damper pivot is nearest to top/back edge of hood. Remove tape from damper flap.

**NOTE:** The exhaust adaptor/damper can be installed up to 1 inch on either side of the hood center to accommodate offcenter ductwork. In extreme offcenter installations, one end of the duct connector may need to be trimmed to clear the electrical cable clamp.



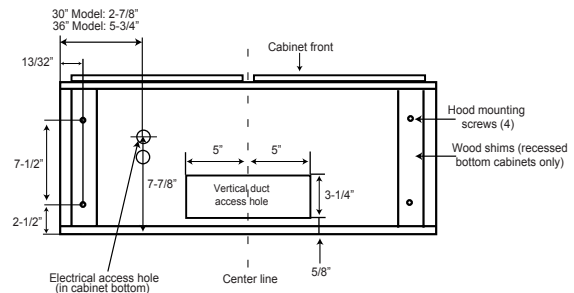
### Mark holes

Select the vent option that your installation will require and proceed to that section:

#### Outside top exhaust

(Vertical duct—3 1/4" x 10" Rectangular)

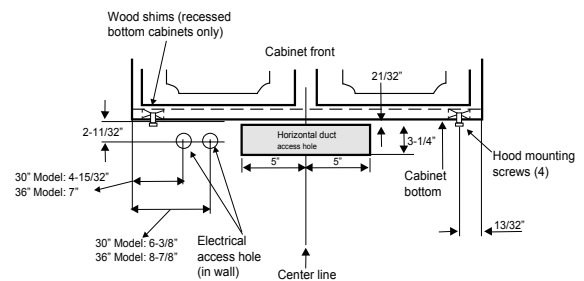
Use the diagram or the hood as a template and mark the locations on the cabinet for ductwork, electrical wiring and keyhole screw slots.



#### Outside rear exhaust

(Horizontal duct—3 1/4" x 10" Rectangular)

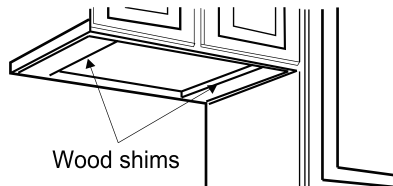
Use the diagram or the hood as a template and mark the locations on the cabinet for ductwork, electrical wiring and keyhole screw slots.





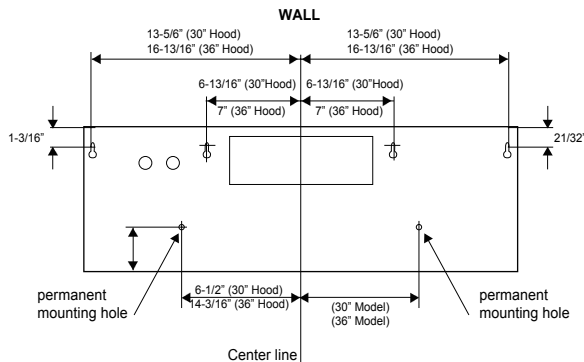
**For recessed bottom cabinet only**

If the cabinets have front, side or back trim, make 2 wood shims the width of the trim and attach them to the cabinet bottom recess on both sides.

**Installation to wall**

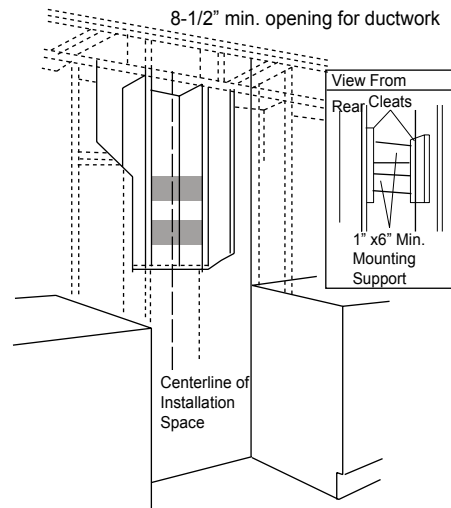
(Horizontal duct- 3¼" x 10" Rectangular)

- Use the diagram or the hood as a template and mark the locations on the wall for ductwork, electrical wiring and keyhole screw slots.

**Install framing for hood support**

- If drywall is present, mark the screw hole locations. Remove the template.
- Cut away enough drywall to expose 2 vertical studs at the holes location indicated by the template. Install two horizontal supports at least 4" x 2" between two wall studs at the bottom and upper mounting holes installation location.
- The horizontal support must be flush with the room side of the studs. Use cleats behind both sides of the support to secure to wall studs.
- Reinstall drywall and refinish.

**IMPORTANT-** Framing must be capable of supporting 100 lbs.



- Cut holes at marked locations for duct and electrical wiring.
- For the vertical duct, cut out ¾" extra toward the front of the cabinet so you can move the duct freely when installing the hood.
- It may also ease installation by cutting the hole 10½" instead of 10".
- Drive a mounting screw (from the hardware packet) partway into each center of the narrow neck of the keyhole slots marked on the cabinet bottom.
- Fix the wiring conduit to the hood.
- Slide the hood back against the wall. Tighten the mounting screws. Be sure the screw heads are in the narrow neck of the keyhole slot.
- Connect Ductwork to hood.

## Electrical connection

**WARNING****Electrical Shock Hazard**

**Warning: Turn off power circuit at the service panel before wiring this unit.**  
**120 VAC, 15 or 20 Amp circuit required.**

**ELECTRICAL GROUNDING INSTRUCTIONS**  
 THIS APPLIANCE IS FITTED WITH AN ELECTRICAL JUNCTION BOX WITH 3 WIRES, ONE OF WHICH (GREEN/YELLOW) SERVES TO GROUND THE APPLIANCE. TO PROTECT YOU AGAINST ELECTRIC SHOCK, THE GREEN AND YELLOW WIRE MUST BE CONNECTED TO THE GROUNDING WIRE IN YOUR HOME ELECTRICAL SYSTEM, AND IT MUST UNDER NO CIRCUMSTANCES BE CUT OR REMOVED.

Failure to do so can result in death or electrical shock.

- Remove the knockout and the Junction box cover and install the conduit connector (cULus listed) in junction box.
- Run 3 wires; black, white and green, according to the National Electrical Code and local codes and ordinances, in 1/2" conduit from service panel to junction box.
- Connect black wire from service panel to black or red in junction box, white to white and green to green-yellow.
- Close and secure junction box cover.

**Final installation step**

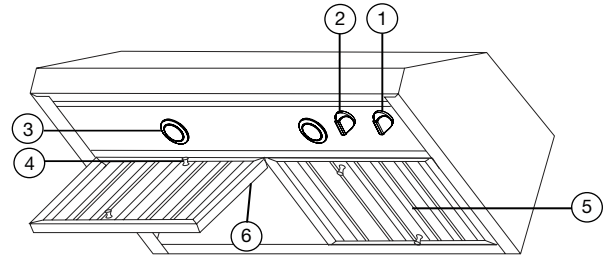
- Replace the 2 lateral supports.
- Replace filters.
- Check operation of the hood.

**If range hood does not operate:**

- Check that the circuit breaker is not tripped or the house fuse blown.
- Disconnect power supply.
- Check that wiring is correct.

Keep your Installation Instructions and Use and Care Guide close to range hood for easy reference.

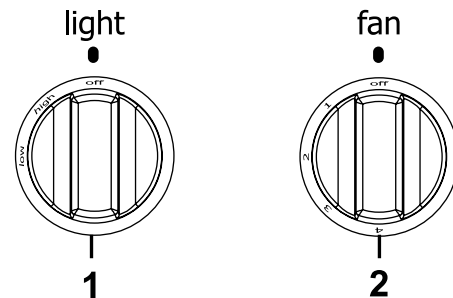
## Description of the Hood



- |                          |  |
|--------------------------|--|
| 1. Blower control switch | 4. Grease filter Handle                  |
| 2. Light control switch  | 5. Grease filter                         |
| 3. Lamp housings         | 6. Serial / Rating plate<br>(see page 6) |

**Controls**

Use the high suction speed in cases of concentrated kitchen vapours. It is recommended that the cooker hood suction is switched on for 5 minutes prior to cooking and to leave in operation during cooking and for another 15 minutes approximately after terminating cooking.

**Description of control panel****1. Light Control**

- Turn the light switch (1) to the right 1 position for HIGH.
- Turn the light switch (1) to the right 2 positions for LOW.
- To turn the lights OFF, rotate the light switch (1) to the left to the OFF position.

**2. Fan Control**

The fan has 4 speeds.

- Rotate the fan switch (2) to the right to turn the fan ON. Continue to rotate the switch to the desired fan speed.
- To turn the fan OFF, rotate the fan speed (2) switch to the left to the OFF position.

## Maintenance

**ATTENTION!** Before performing any maintenance operation, isolate the hood from the electrical supply by switching off at the connector and removing the connector fuse.

Or if the appliance has been connected through a plug and socket, then the plug must be removed from the socket.

### Cleaning

Do not spray cleaners directly to the control while cleaning the Hood. The cooker hood should be cleaned regularly (at least with the same frequency with which you carry out maintenance of the fat filters) internally and externally. Clean using the cloth dampened with neutral liquid detergent. Do not use abrasive products. **DO NOT USE ALCOHOL!**

### WARNING:

Failure to carry out the basic cleaning recommendations of the cooker hood and replacement of the filters may cause fire risks.

Therefore, we recommend observing these instructions. The manufacturer declines all responsibility for any damage to the motor or any fire damage linked to inappropriate maintenance or failure to observe the above safety recommendations.

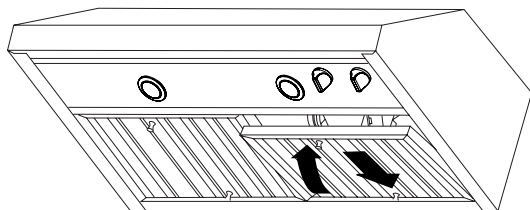
### Grease Filter

#### To Remove Metal Grease Filters:

- Use 2 hands to remove the metal grease filters. Grasp filter handles, push toward the rear of the range hood and pull down on the front handle to remove.

#### To Reinstall Metal Grease Filters:

- Grasp filter handles and place rear of filter into rear track.
- Push down on the rear handle and set the front of the grease filter into the front track to secure.
- Repeat for each filter.



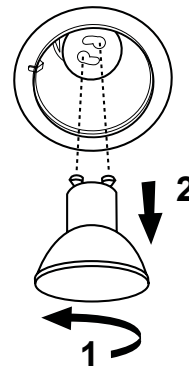
- Wash metal grease filters as needed in a dishwasher or hand wash in a hot detergent solution to clean.

### Replacing the light bulb

#### CAUTION

Before replacing the lamps, switch power off at service panel and lock service panel disconnecting means to prevent power from being switched on accidentally.

**NOTE:** Turn off the lights and fan. Allow the lights to cool before handling. If new lights do not operate be sure lights are inserted correctly before calling service.



#### Replace Lights

Remove the damaged light (twist counter clockwise) and replace with a new 120 Volt, 50 Watt (maximum) 50° halogen light made for a GU10 base, suitable for use in open luminaire.

## Warranty Information

Your appliance is covered by a one year limited warranty. For one year from your original date of purchase, Electrolux will pay all costs for repairing or replacing any parts of this appliance that prove to be defective in materials or workmanship when such appliance is installed, used and maintained in accordance with the provided instructions.

### Exclusions

This warranty does not cover the following:

1. Products with original serial numbers that have been removed, altered or cannot be readily determined.
2. Product that has been transferred from its original owner to another party or removed outside the USA or Canada.
3. Rust on the interior or exterior of the unit.
4. Products purchased "as-is" are not covered by this warranty.
5. Food loss due to any refrigerator or freezer failures.
6. Products used in a commercial setting.
7. Service calls which do not involve malfunction or defects in materials or workmanship, or for appliances not in ordinary household use or used other than in accordance with the provided instructions.
8. Service calls to correct the installation of your appliance or to instruct you how to use your appliance.
9. Expenses for making the appliance accessible for servicing, such as removal of trim, cupboards, shelves, etc., which are not a part of the appliance when it is shipped from the factory.
10. Service calls to repair or replace appliance light bulbs, air filters, water filters, other consumables, or knobs, handles, or other cosmetic parts.
11. Surcharges including, but not limited to, any after hour, weekend, or holiday service calls, tolls, ferry trip charges, or mileage expense for service calls to remote areas, including the state of Alaska.
12. Damages to the finish of appliance or home incurred during installation, including but not limited to doors, cabinets, walls, etc.
13. Damages caused by: services performed by unauthorized service companies; use of parts other than genuine Electrolux parts or parts obtained from persons other than authorized service companies; or external causes such as abuse, misuse, inadequate power supply, accidents, fires, or acts of God.

DISCLAIMER OF IMPLIED WARRANTIES; LIMITATION OF REMEDIES CUSTOMER'S SOLE AND EXCLUSIVE REMEDY UNDER THIS LIMITED WARRANTY SHALL BE PRODUCT REPAIR OR REPLACEMENT AS PROVIDED HEREIN. CLAIMS BASED ON IMPLIED WARRANTIES, INCLUDING WARRANTIES OF MERCHANTABILITY OR FITNESS FOR A PARTICULAR PURPOSE, ARE LIMITED TO ONE YEAR OR THE SHORTEST PERIOD ALLOWED BY LAW, BUT NOT LESS THAN ONE YEAR. ELECTROLUX SHALL NOT BE LIABLE FOR CONSEQUENTIAL OR INCIDENTAL DAMAGES SUCH AS PROPERTY DAMAGE AND INCIDENTAL EXPENSES RESULTING FROM ANY BREACH OF THIS WRITTEN LIMITED WARRANTY OR ANY IMPLIED WARRANTY. SOME STATES AND PROVINCES DO NOT ALLOW THE EXCLUSION OR LIMITATION OF INCIDENTAL OR CONSEQUENTIAL DAMAGES, OR LIMITATIONS ON THE DURATION OF IMPLIED WARRANTIES, SO THESE LIMITATIONS OR EXCLUSIONS MAY NOT APPLY TO YOU. THIS WRITTEN WARRANTY GIVES YOU SPECIFIC LEGAL RIGHTS. YOU MAY ALSO HAVE OTHER RIGHTS THAT VARY FROM STATE TO STATE.

### If You Need Service

Keep your receipt, delivery slip, or some other appropriate payment record to establish the warranty period should service be required. If service is performed, it is in your best interest to obtain and keep all receipts. Service under this warranty must be obtained by contacting Electrolux at the addresses or phone numbers below.

This warranty only applies in the USA and Canada. In the USA, your appliance is warranted by Electrolux Major Appliances North America, a division of Electrolux Home Products, Inc. In Canada, your appliance is warranted by Electrolux Canada Corp.

Electrolux authorizes no person to change or add to any obligations under this warranty. Obligations for service and parts under this warranty must be performed by Electrolux or an authorized service company. Product features or specifications as described or illustrated are subject to change without notice.

USA  
1.877.435.3287  
Electrolux Major Appliances  
North America  
10200 David Taylor Drive  
Charlotte, NC 28262

Canada  
1.800.265.8352  
Electrolux Canada Corp.  
5855 Terry Fox Way  
Mississauga, Ontario, Canada  
L5V 3E4

