



 **Electrolux**

Factory Parts Catalog

Product No.	EW27MO55HSA	EW30MO55HSA
Market	North America	North America
Color	stainless steel	stainless steel
Volts	120	120
Watts	900	900
Wiring Diagram	5995553707	5995553707
Owner's Guide	TINSEB491MRR0	TINSEB491MRR0
Installation Instructions	TINSEB504MRR0	TINSEB504MRR0

 **Electrolux**

Electrolux Major Appliances
North & Latin America
P.O. BOX 212378
AUGUSTA, GA 30917

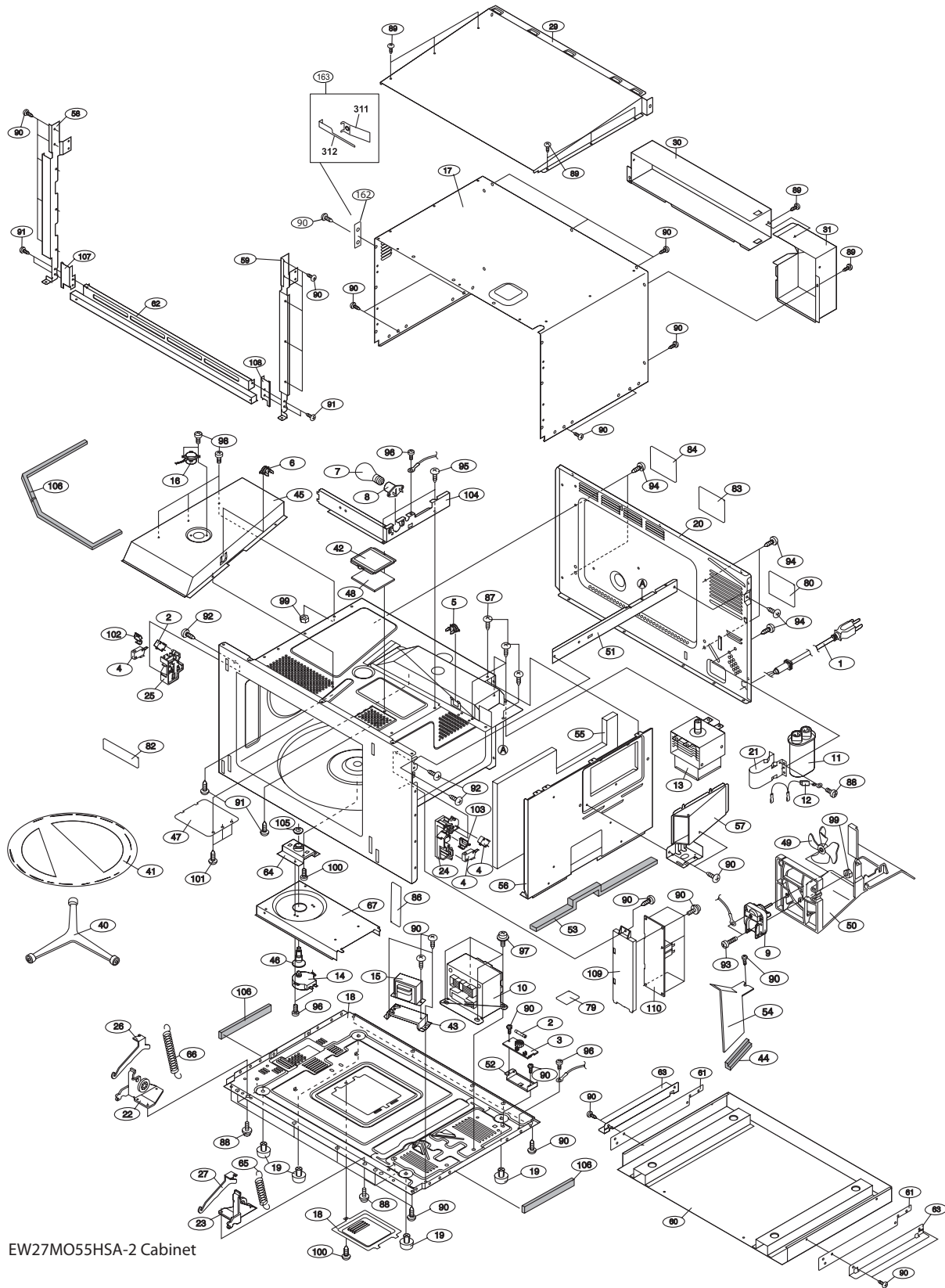
Publication No.
5995553707
09/10/16
(EN/SERVICE/KC)
099

BUILT-IN MICROWAVE

Model No.
**EW27MO55H /
EW30MO55H**

Copyright © 2009 Electrolux Home Products, Inc.
All rights reserved.

OVEN, CABINET



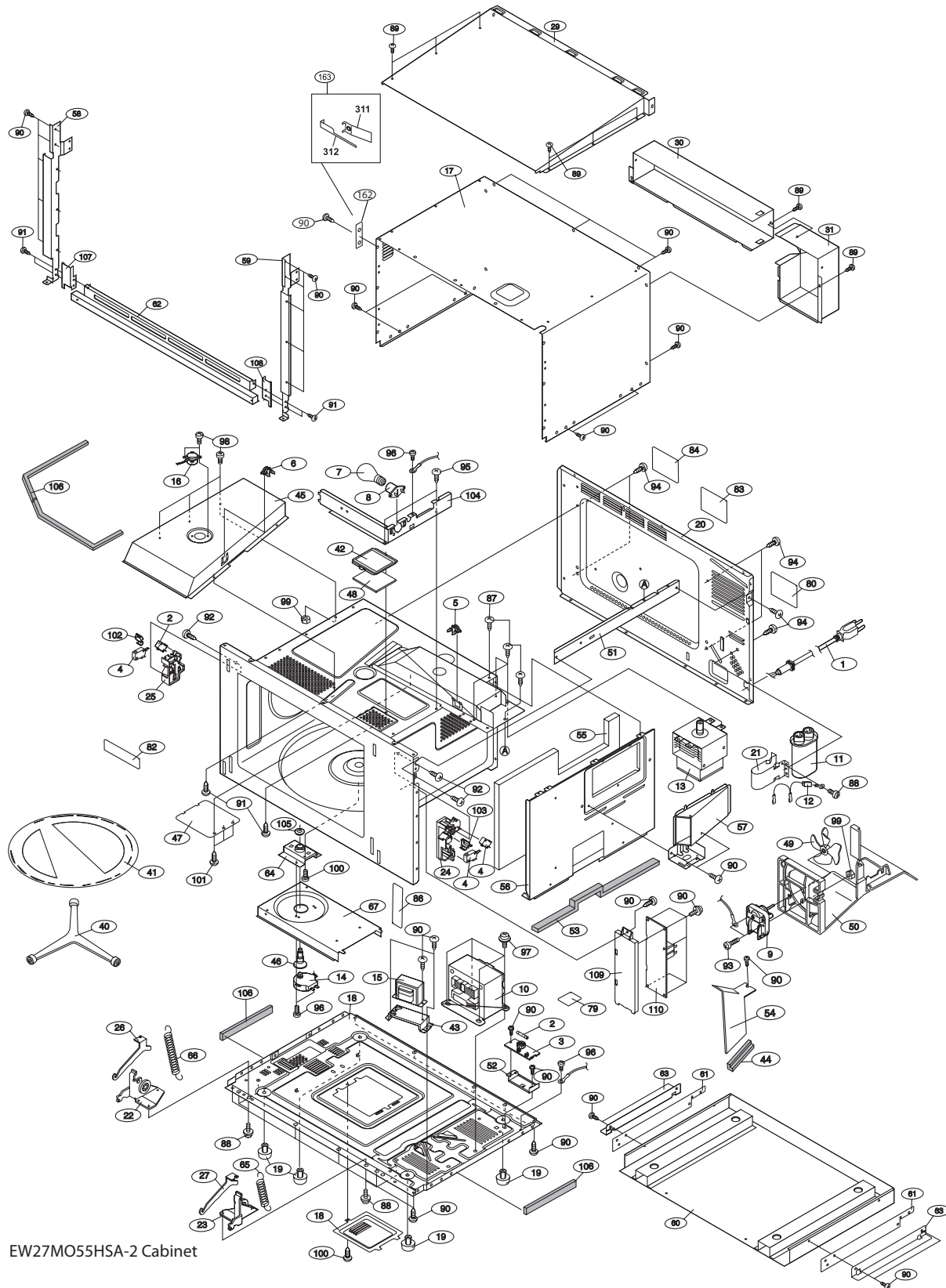
EW27MO55HSA-2 Cabinet

OVEN,CABINET

Model Index: A EW27MO55H (EW27MO55HSA)
B EW30MO55H (EW30MO55HSA)

POS. NO	PART NO.		DESCRIPTION
1 #	75304470537	A B	Power Cord, electric
2 #	75304461109	A B	Assembly, fuse & switch, monitor
3 #	75304461110	A B	Filter, noise
4 #	75304440026	A B	Switch, interlock, door sensor
5 #	75304461113	A B	Thermal Cut-Out, magnetron
6 #	75304461114	A B	Thermal Cut-Out, convection/oven. (2)
7	75304464198	A B	Lamp, oven light
8 #	75304463785	A B	Lampholder, socket
9 #	75304461119	A B	Motor, fan
10 #	75304470538	A B	Transformer, power
11 #	75304470539	A B	Capacitor, high voltage
12 #	75304461122	A B	Rectifier, high voltage
13 #	75304470540	A B	Magnetron
14 #	75304461124	A B	Motor, turntable
15 #	75304470541	A B	Transformer, low voltage
16 #	75304461125	A B	Sensor Assembly, AH
17	75304470542	A B	Cabinet, outer casing
18	75304470734	A B	Base, chassis, w/motor cover
19	75304461127	A B	Foot, cabinet, (4)
20	75304470544	A B	Panel, cabinet back
21	75304461129	A B	Holder, capacitor
22	75304470545	A B	Hinge, oven door, left
23	75304470546	A B	Hinge, oven door, right
24	75304470547	A B	Latch Hook, right side
25	75304470548	A B	Latch Hook, left side
26	75304470549	A B	Cam, door, left
27	75304470550	A B	Cam, door, right
29	75304470552	A B	Cover, front
30	75304470553	A B	Duct, B
31	75304470554	A B	Duct, C
40	75304470562	A B	Support, turntable, with rollers
41	75304470563	A B	Tray, turntable, glass
42	75304461155	A B	Frame, light lens
43	75304470564	A B	Bracket, mounting, transformer
44	75304461157	A B	Cushion
45	75304461158	A B	Duct Assembly, steam release
46	75304451450	A B	Coupler, turntable/motor
47	75304461165	A B	Cover, waveguide
48	75304461167	A B	Lens, light
49 #	75304461173	A B	Blade, fan
50	75304461174	A B	Duct, cooling fan
51	75304461175	A B	Support, chassis
52	75304461178	A B	Angle, noise filter
53	75304461156	A B	Cushion
54	75304461181	A B	Guide, air, magnetron
55	75304461182	A B	Sheet, thermal, protection
56	75304461183	A B	Cover, thermal sheet, panel
57	75304461162	A B	Duct, damper
58	75304470565	A B	Trim, left side

OVEN, CABINET



EW27MO55HSA-2 Cabinet

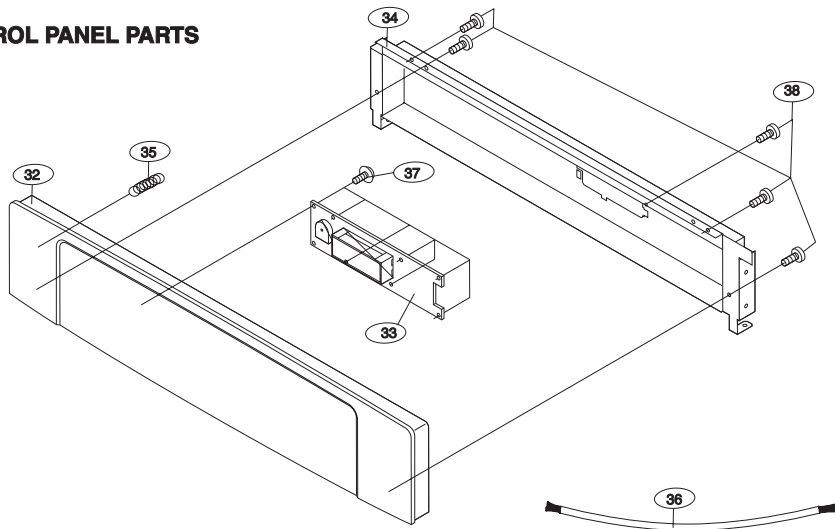
OVEN,CABINET

Model Index: A EW27MO55H (EW27MO55HSA)
B EW30MO55H (EW30MO55HSA)

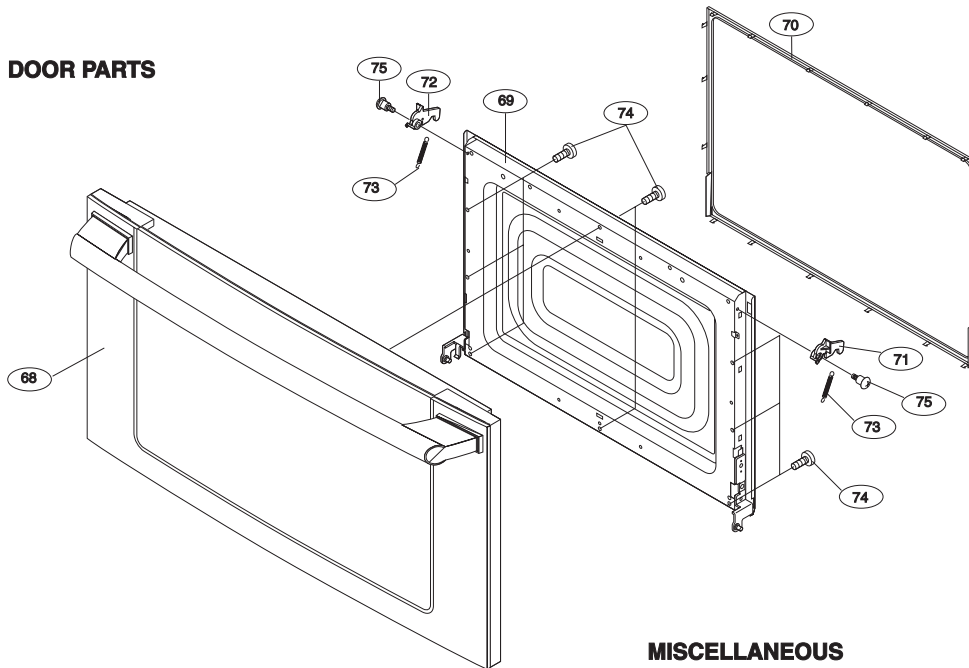
POS. NO	PART NO.		DESCRIPTION
59	75304470566	A B	Trim, right side
60	75304470569	A B	Duct, exhaust
61	75304470570	A B	Angle, bottom
62	75304470571	A B	Louver, inlet
63	75304470572	A B	Angle, shipping
64	75304451459	A B	Bracket, turntable mount
65	75304470574	A -	Spring, door, right side
65	75304470573	- B	Spring, door, right side
66	75304470575	A B	Spring, door, left side
67	75304470576	A B	Insulator, thermal barrier
79	75304440334	A B	Label, Caution-monitor
80	75304465314	A B	Label, NHW caution
82	75304461202	A B	Label, User Caution
83	75304470585	A B	Label, height caution
84	75304440333	A B	Label, Caution-DHHS
86	75304470586	A B	Label, menu
87	75303319636	A B	Screw
88	75304451550	A B	Screw, 4 mm x 8 mm
89	75304451555	A B	Screw, 4 mm x 8 mm
90	75304451553	A B	Screw, 4 mm x 12 mm
91	75304461203	A B	Screw, 4mm x 10mm, (14)
92	75303319641	A B	Screw
93	75304461209	A B	Screw, 4mm x 25mm, (2)
94	75304470587	A B	Screw
95	75304461215	A B	Screw, 4mm x 8mm, (6)
96	75304470588	A B	Screw
97	75304461221	A B	Screw, 6mm x 14mm, (2)
98	75304470589	A B	Screw
99	75304470590	A B	Nut, special
100	75304450253	A B	Screw, 4 mm x 8 mm
101	75304461210	A B	Screw, 4mm x 6mm, (7)
102	75304470591	A B	Lever, switch actuator, left
103	75304470592	A B	Lever, switch actuator, right
104	75304461171	A B	Guide, air, RH
105	75304451470	A B	Packing, silicon
106	75304461166	A B	Cushion, (4)
107	75304470593	A B	Trim, decorative, left side
108	75304470594	A B	Trim, decorative, right side
109	75304470735	A B	Holder, power board
110#	75304470596	A B	Power Board, printed circuit
162	75304451562	A B	Bracket, oven retainer, anti-tip
163	75304451563	A B	Anti-tip Kit, w/brackets, tools, screws
311	7318246000	A B	Bracket, cabinet, anti-tip
311*	75304438005	A B	Screw, 6 x 1, black
311*	75303211311	A B	Screw, 8-18 x 0.500
312	7318246702	A B	Tool, oven release, RH key
312	7318246703	A B	Tool, oven release, LH key

CONTROL PANEL, DOOR, MISC.

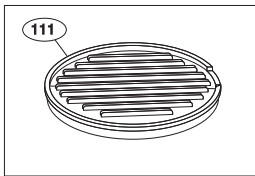
CONTROL PANEL PARTS



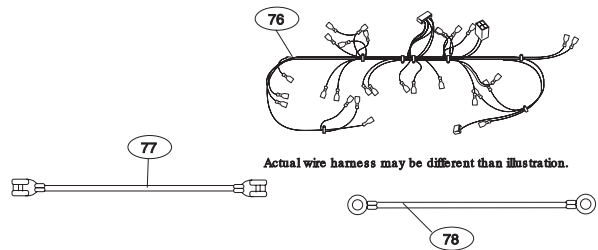
DOOR PARTS



MISCELLANEOUS



EW27MO55HSA Controls



CONTROL PANEL,DOOR,MISC.

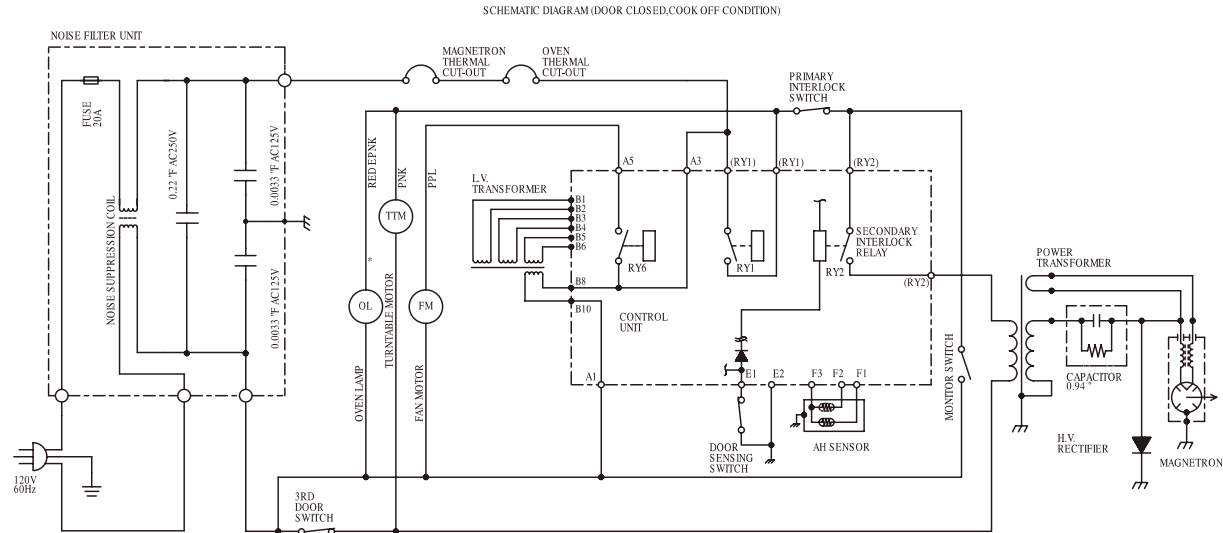
Model Index: A EW27MO55H (EW27MO55HSA)
B EW30MO55H (EW30MO55HSA)

POS. NO	PART NO.		DESCRIPTION
32 #	75304470555	A -	Touch Control, key pad
32 #	75304470556	- B	Touch Control, key pad
33 #	75304470557	A B	Display Board, CPU
34	75304470559	A -	Bracket, control mount
34	75304470558	- B	Bracket, control mount
35	75304470560	A B	Spring, grounding
36 #	75304470561	A B	Wiring Harness, power supply
37	75304456930	A B	Screw, 3 mm x 10 mm
38	75304451517	A B	Screw, 4 mm x 8 mm
68	75304470577	A -	Frame, outer door, with handle
68	75304475189	- B	Frame, outer door, with handle
69	75304470578	A B	Panel, inner door
70	75304470579	A B	Frame, inner door, choke cover
71	75304470580	A B	Latch Head, right side
72	75304470581	A B	Latch Head, left side
73	75304470582	A B	Spring, latch head
74	75304451561	A B	Screw, 4 mm x 8 mm
75	75304470583	A B	Screw
76 #	75304470584	A B	Wiring Harness, main
77 #	75304461198	A B	Wire, high voltage, B
78 #	75304461199	A B	Wire, ground, cooling fan
111	75304461261	A B	Rack, bacon

WIRING DIAGRAM

EW27MO55HSA Wiring

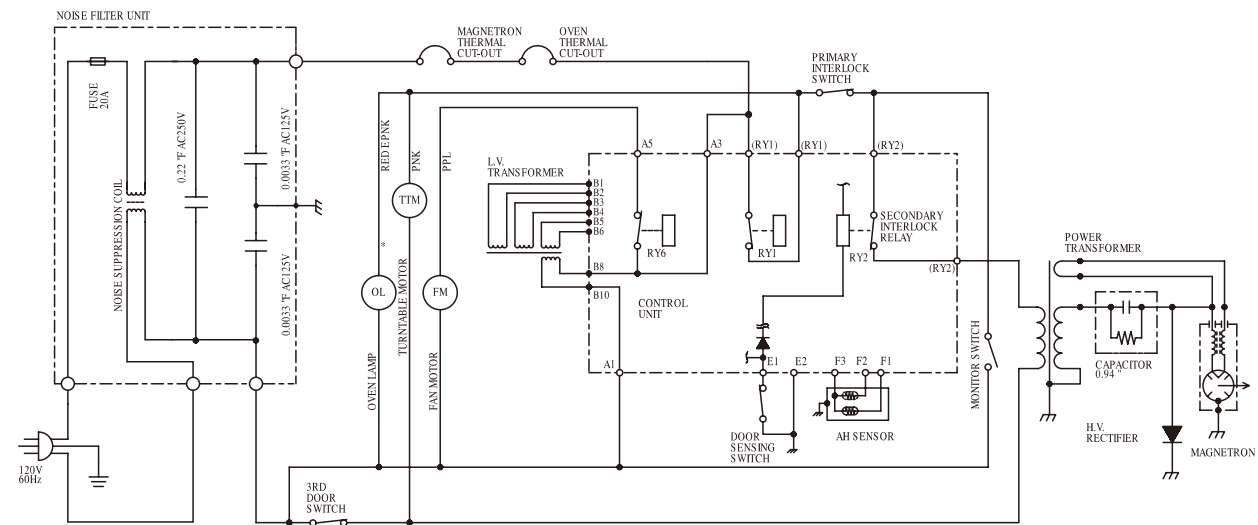
SCHEMATIC
 NOTE: CONDITION OF OVEN
 1. DOOR CLOSED.
 2. CLOCK APPEARS ON DISPLAY.



- NOTE:
1. CIRCUITS SUBJECT TO CHANGE WITHOUT NOTICE
 2. WIRE COLOR CODES ARE APPLICABLE TO PRIMARY CIRCUIT ONLY AND NOT APPLICABLE TO LOW VOLTAGE CIRCUIT AND SECONDARY CIRCUIT.
 3. HOT WIRE(S) MUST BE CONNECTED TO THE TERMINAL WITH BLUE MARK ON THE LAMP SOCKET AND "H" MARK ON THE POWER SUPPLY CORD.

Figure O-1. Oven Schematic-OFF Condition

SCHEMATIC
 NOTE: CONDITION OF OVEN
 1. DOOR CLOSED.
 2. COOKING TIME PROGRAMMED.
 3. "START" PAD TOUCHED.



- NOTE:
1. CIRCUITS SUBJECT TO CHANGE WITHOUT NOTICE
 2. WIRE COLOR CODES ARE APPLICABLE TO PRIMARY CIRCUIT ONLY AND NOT APPLICABLE TO LOW VOLTAGE CIRCUIT AND SECONDARY CIRCUIT.
 3. HOT WIRE(S) MUST BE CONNECTED TO THE TERMINAL WITH BLUE MARK ON THE LAMP SOCKET AND "H" MARK ON THE POWER SUPPLY CORD.

Figure O-2. Oven Schematic-Microwave Cooking Condition